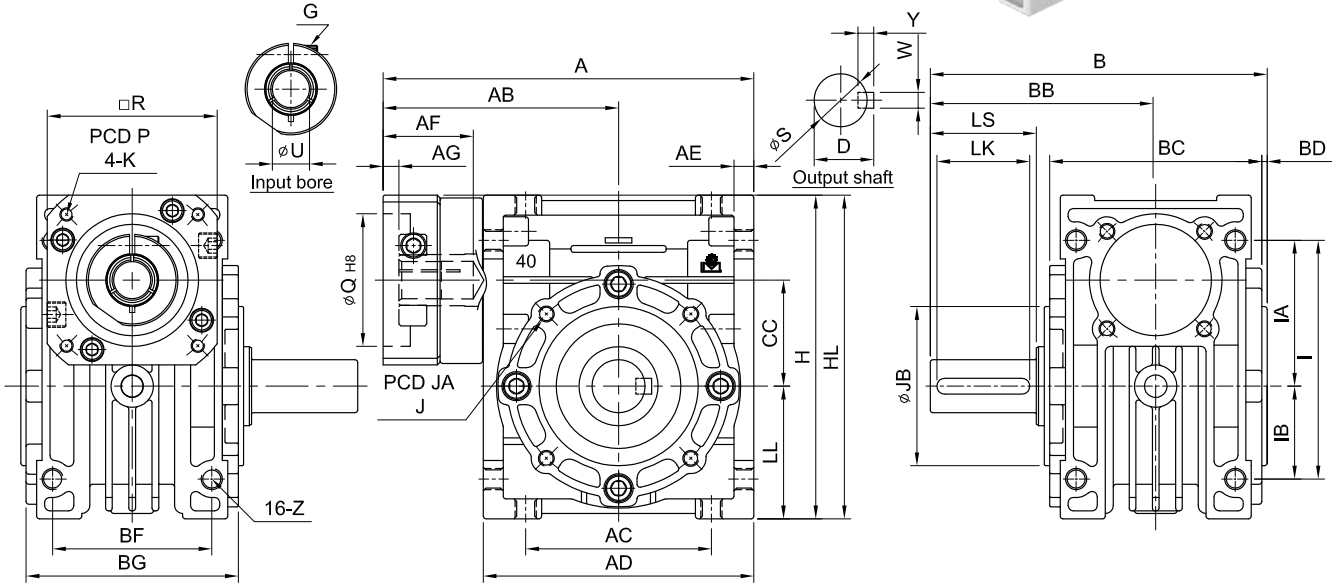


WES series

RATIO : 5.10.15.20.30.40.50.60



Model Code	A	AB	AC	AD	AE	AF	AG	B	BB	BC	BD	BF	BG	CC	LL	I	IA	IB	Z	H	Weight (KG)
30	108	68	55	80	6	32	5	99.5	67.5	60	2	45	58	30	40	72	45	27	M6	98	
40	140	89	70	102	7.5	34	6	127	85	80	2	60	72	40	50	90	55	35	M8	122	
50	158	98	80	120	8.5	41	6	150	100	94	3	70	85	50	60	105	65	40	M10	145	
60	195	122	100	146	10	59	9	159	105	102	3	85	103	60	75	136	83	53	M10	180	
70	219	134	120	170	12	59	9	187	125	118	3	90	110	70	85	150	90	60	M10	200	

unit : mm

Model Code	30	40	50	60	70	
OUTPUT SHAFT	S	16	20	25	30	
	Y	5	6	7	7	
	W	5	6	8	8	
	D	18	22.5	28	28	
	LS	35	40	50	50	
	LK	30	35	45	45	
	J	8-M6 x P1.0	12-M6 x P1.0	12-M6 x P1.0	12-M8 x P1.25	12-M10 x P1.5
	JA	65	77	95	120	140
MOTOR FLANGE & INPUT BORE	JB	55	60	70	80	
	P	46, 60, 63	70, 75, 90	70, 75, 90	90, 100, 115, 145	90, 100, 115, 145
	K	M3 x P0.5 M4 x P0.7 M5 x P0.8	M4 x P0.7 M5 x P0.8 M6 x P1.0	M4 x P0.7 M5 x P0.8 M6 x P1.0	M5 x P0.8 M6 x P1.0 M8 x P1.25	M5 x P0.8 M6 x P1.0 M8 x P1.25
	R	46, 55	64, 70, 80	64, 70, 80	92, 110, 130	92, 110, 130
	G	M3 x P0.5	M5 x P0.8	M5 x P0.8	M6 x P1.0	M6 x P1.0
	Q	30, 40, 50	50, 60, 70	50, 60, 70	70, 80, 95, 110	70, 80, 95, 110
	U	8	14	19	24	24
	HL	100	122, 125, 130	145, 150	181, 190, 200	210, 220