

Spec.	Basic dynamic load rating (kN)	Permissible axial load (kN)	Preload (kN)	Axial rigidity (N/μm)	Max Starting torque (N.m)	Lock nut			Weight (kg)	Dimensions of shaft end		
						M	D3	L3		d	L4	L5
WBK 15 DF	21.9	26.6	2.15	750	0.19	M15*1	30	14	1.9	15	81	23
WBK 17 DF	21.9	26.6	2.15	750	0.19	M17*1	32	16	1.9	17	81	23
WBK 20 DF	21.9	26.6	2.15	750	0.19	M20*1	38	16	1.9	20	81	23
WBK 25 DF	28.5	40.5	3.15	1000	0.29	M25*1.5	38	18	3.1	25	89	26
WBK 25 DFD	46.5	81.5	4.3	1470	0.39	M25*1.5	38	18	3.4	25	104	26
WBK 30 DF	29.2	43	3.35	1030	0.30	M30*1.5	45	18	3.0	30	89	26
WBK 30 DFD	47.5	86	4.5	1520	0.40	M30*1.5	45	18	3.3	30	104	26
WBK 35 DF	31	50	3.8	1180	0.34	M35*1.5	52	18	3.4	35	92	30
WBK 35 DFD	50.5	100	5.2	1710	0.45	M35*1.5	52	18	4.3	35	107	30
WBK 35 DFF	50.5	100	7.65	2350	0.59	M35*1.5	52	18	5.0	35	122	30
WBK 40 DF	31.5	52	3.9	1230	0.36	M40*1.5	58	20	3.6	40	92	30
WBK 40 DFD	51.5	104	5.3	1810	0.47	M40*1.5	58	20	4.2	40	107	30
WBK 40 DFF	51.5	104	7.85	2400	0.61	M40*1.5	58	20	4.7	40	122	30

\*The specifications in this catalog are subject to change without notification.

# SUPPORT UNIT

## WBK Series

**NEW**



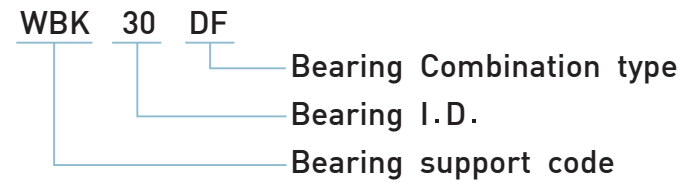
### Introduction :

HIWIN bearing supports are composed of main body, bearings, cover plate, spacers, oil seals, lock nut, and set screws. Matched with the customer's axial loading requirement, the bearing support has three configuration types: DF, DFD and DFF.

### Product Features :

- ◆ Suitable for heavy load applications, such as ballscrew supports for machine tools.
- ◆ Matched with high accuracy, high stiffness ball screw bearings.
- ◆ Hiwin bearing supports could be assembled with Hiwin ballscrews for a total solution.

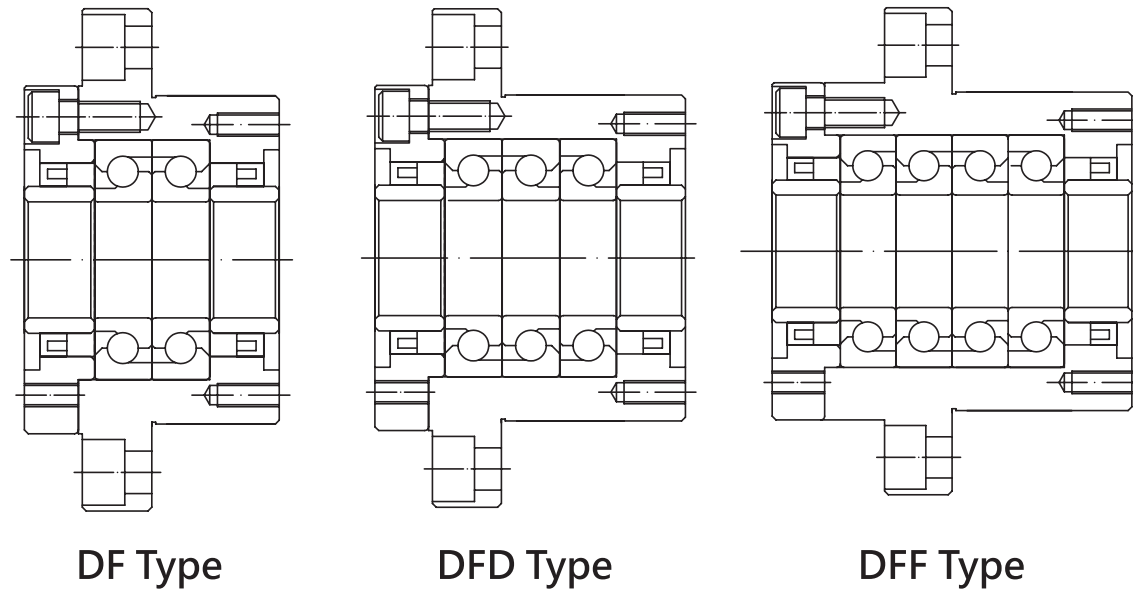
Product Code Specification :



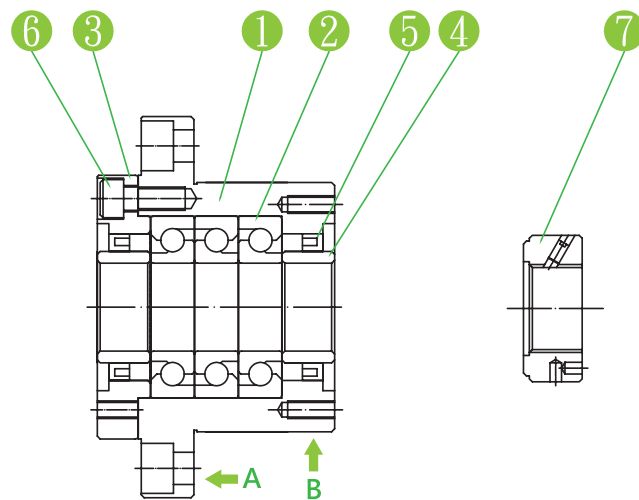
WBK    △△    ◇◇

1. WBK : Bearing support code. WBK is a ballscrew bearing support for heavy load applications.
2. △△ : Bearing I.D. Two digit designation (Unit:mm).
3. ◇◇ : Bearing Combination type: DF, DFD, DFF

Bearing Combination Type :



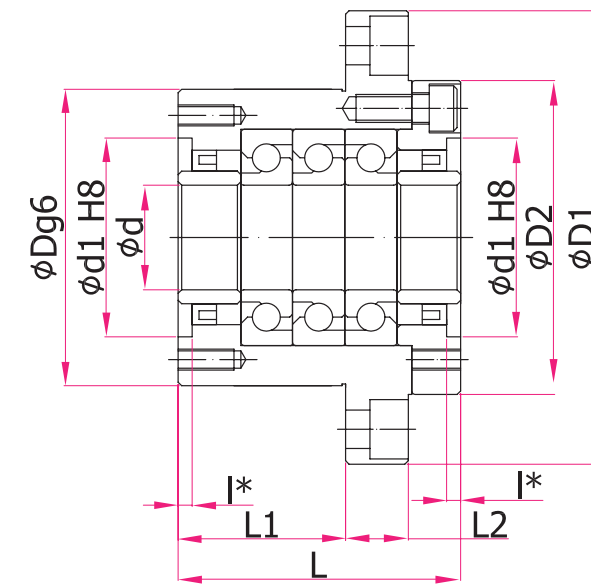
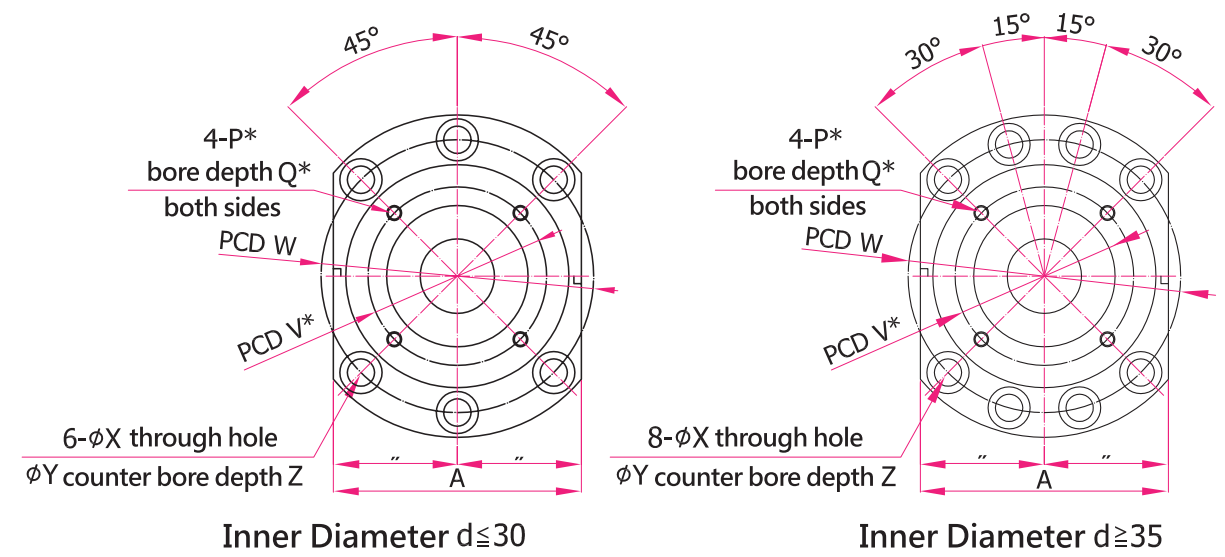
Bearing Support Composition :



Number	Item	Quantity
1	Main Body	1
2	Bearing	1 set
3	Cover Plate	1
4	Spacer	2
5	Oil Seal	2
6	Set Screw	6 or 8
7	Lock Nut	1

Note :  
 1. The A and B represent datum planes used to aid in the installation of the bearing support.  
 2. Please DO NOT disassemble items 1 through 6.

Bearing Support Specification Table :



Spec.	Main Dimensions (mm)																
	d	D	D1	D2	L	L1	L2	A	W	X	Y	Z	d1*	l*	V*	P*	Q*
WBK 15 DF	15	70	106	72	60	32	15	80	88	9	14	8.5	45	3	58	M5	10
WBK 17 DF	17	70	106	72	60	32	15	80	88	9	14	8.5	45	3	58	M5	10
WBK 20 DF	20	70	106	72	60	32	15	80	88	9	14	8.5	45	3	58	M5	10
WBK 25 DF	25	85	130	90	66	33	18	100	110	11	17.5	11	57	4	70	M6	12
WBK 25 DFD	25	85	130	90	81	48	18	100	110	11	17.5	11	57	4	70	M6	12
WBK 30 DF	30	85	130	90	66	33	18	100	110	11	17.5	11	57	4	70	M6	12
WBK 30 DFD	30	85	130	90	81	48	18	100	110	11	17.5	11	57	4	70	M6	12
WBK 35 DF	35	95	142	102	66	33	18	106	121	11	17.5	11	69	4	80	M6	12
WBK 35 DFD	35	95	142	102	81	48	18	106	121	11	17.5	11	69	4	80	M6	12
WBK 35 DFF	35	95	142	102	96	48	18	106	121	11	17.5	11	69	4	80	M6	12
WBK 40 DF	40	95	142	102	66	33	18	106	121	11	17.5	11	69	4	80	M6	12
WBK 40 DFD	40	95	142	102	81	48	18	106	121	11	17.5	11	69	4	80	M6	12
WBK 40 DFF	40	95	142	102	96	48	18	106	121	11	17.5	11	69	4	80	M6	12