

RNV 十字转向器

spiral bevel gearbox



Introduction:

NOSEN spiral bevel gearbox RNV-Series, cubic shape of gearbox, european gearbox standard dimensions

Model: RNV-065, RNV-090, RNV-120, RNV-160, RNV-200, RNV-260

Function: right angles change transmission directions

Configurations: spiral bevel gears, bearings, gearbox, input and output shafts

Materials:

1. Spiral bevel gears: alloy steel, case hardened, be of high rigidity and wear resistance
2. Bearings: taper roller bearings, bear larger torque
3. Gearbox: cast iron, six faces of gearbox are machined by milling machine, gloss surfaces
4. Input&Output shaft: S45C, heat treated

Speed Ratio: 1:1, 2:1. Special ratio, following clients' orders

Transmission Efficiency: 95%

Gear Oil: HD320~680

Max Revolutions: 1450 rpm

Ambient Temperature: -20°C~+80°C, special temperature, consult our engineers

Noise Level: less than 80 dB

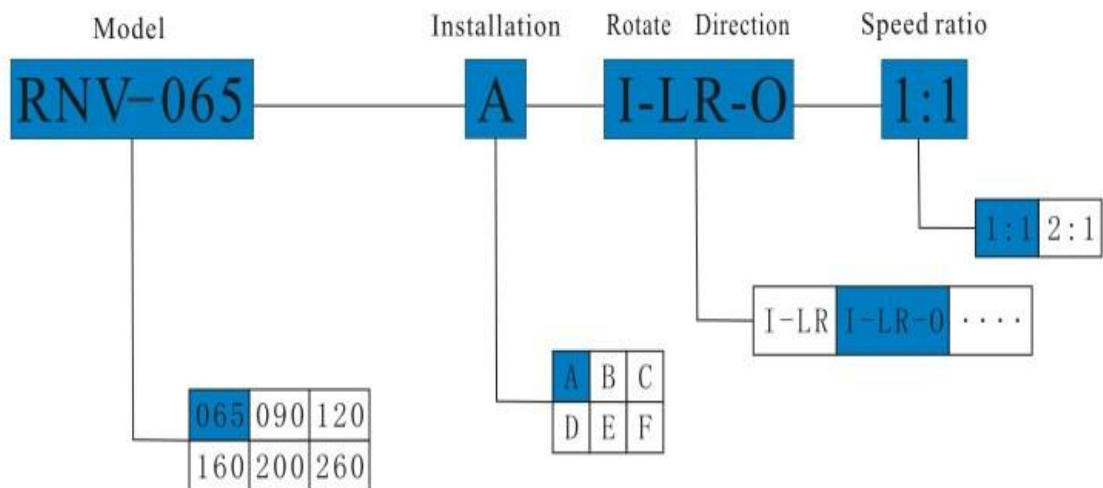
Temperature Level: less than 50°C

Test Equipments: noise meter and infrared thermometer

Application Industries:

diesel engine drive water pump, textile, food processing machine, medicine, rotary axis drives, conveyors, packaging equipment, material handling, automation and packaging etc

Selection Guide

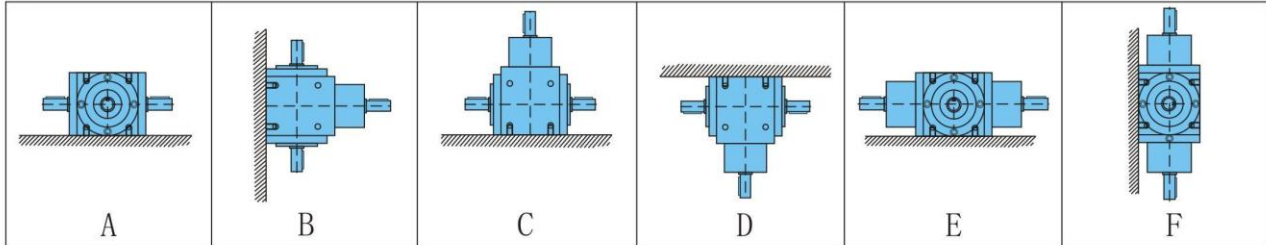


RNV 十字转向器

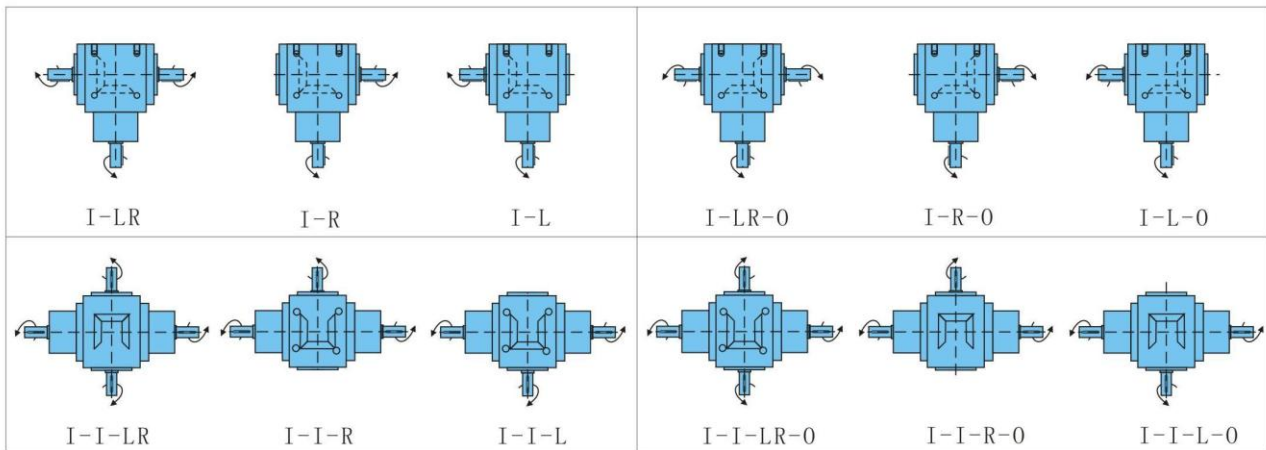
spiral bevel gearbox



安装方式 Installations



转向代号 Rotate Directions

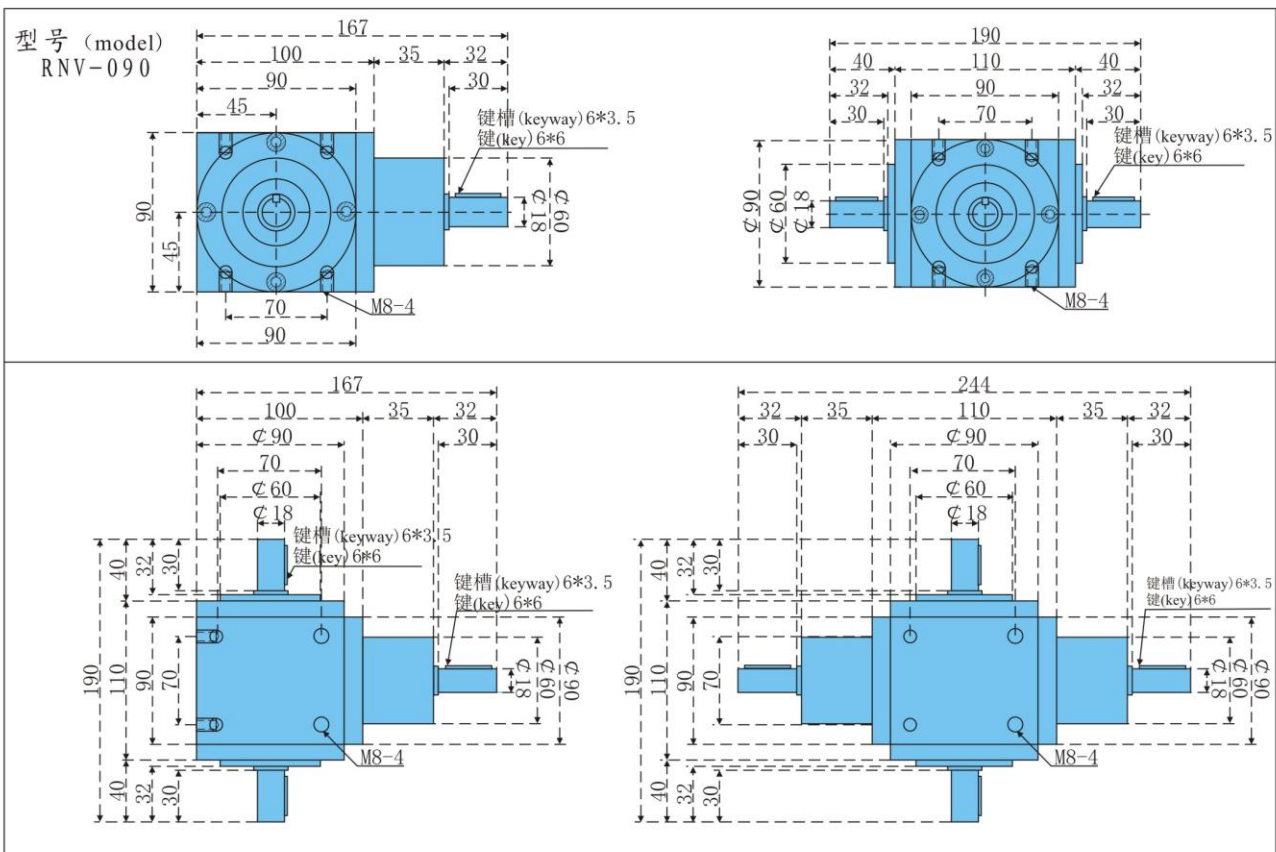
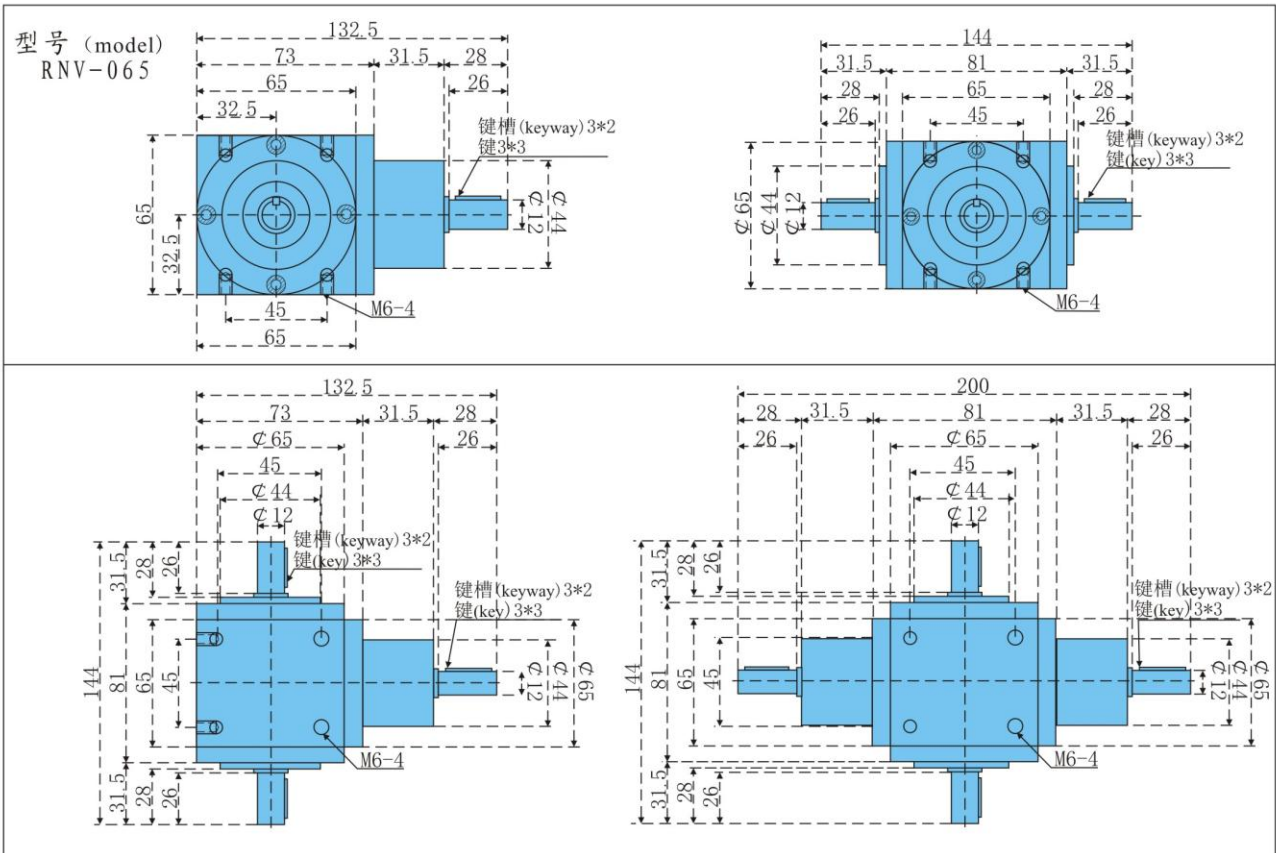


RNV-Series, Technical Datas Sheet

| Model | Gear Ratio | 1500 rpm | | 1000 rpm | | 750 rpm | | 500 rpm | | 250 rpm | | 50 rpm | |
|---------|------------|------------|--------------|------------|--------------|------------|--------------|------------|--------------|------------|--------------|------------|--------------|
| | | Input (HP) | Torque (N.m) | Input (HP) | Torque (N.m) | Input (HP) | Torque (N.m) | Input (HP) | Torque (N.m) | Input (HP) | Torque (N.m) | Input (HP) | Torque (N.m) |
| RNV-065 | 1:1 | 2.4 | 11.6 | 1.76 | 12.61 | 1.43 | 13.66 | 1.1 | 15.76 | 0.63 | 18.5 | 0.13 | 18.62 |
| | 1:2 | 1.2 | 5.8 | 0.88 | 6.3 | 0.72 | 6.88 | 0.54 | 7.73 | 0.31 | 8.88 | 0.06 | 8.59 |
| RNV-090 | 1:1 | 7.05 | 33.8 | 5 | 35.81 | 4.08 | 38.96 | 3 | 42.97 | 1.6 | 45.86 | 0.37 | 53 |
| | 1:2 | 2.97 | 14.3 | 2.28 | 16.33 | 1.76 | 16.81 | 1.25 | 17.91 | 0.66 | 18.91 | 0.13 | 18.62 |
| RNV-120 | 1:1 | 18 | 86 | 13.52 | 96.83 | 11.34 | 108.29 | 8.45 | 121.04 | 4.52 | 129.49 | 0.96 | 137.51 |
| | 1:2 | 8 | 38.5 | 5.9 | 42.26 | 4.7 | 44.88 | 3.38 | 48.42 | 1.8 | 51.57 | 0.38 | 54.43 |
| RNV-160 | 1:1 | 57.3 | 275 | 42.6 | 305.1 | 34.2 | 326.59 | 24.25 | 347.36 | 12.85 | 368.13 | 2.78 | 398.21 |
| | 1:2 | 27 | 129.6 | 19.84 | 142.09 | 15.4 | 147.06 | 11 | 157.56 | 5.88 | 168.45 | 1.3 | 186.21 |
| RNV-200 | 1:1 | 99.2 | 476 | 74.9 | 536.43 | 61 | 582.51 | 45.5 | 651.74 | 26 | 744.85 | 5.5 | 787.82 |
| | 1:2 | 46.8 | 224.8 | 36.7 | 262.85 | 29.7 | 283.62 | 22.4 | 320.86 | 12.5 | 358.1 | 2.76 | 395.34 |
| RNV-260 | 1:1 | 209 | 1005 | 154.3 | 1105.1 | 128.9 | 1230.91 | 97 | 1389.43 | 56.5 | 1618.61 | 12.8 | 1833.47 |
| | 1:2 | 104.7 | 502.6 | 77.2 | 552.91 | 64.5 | 615.93 | 47 | 673.23 | 26.8 | 767.77 | 6 | 859.44 |

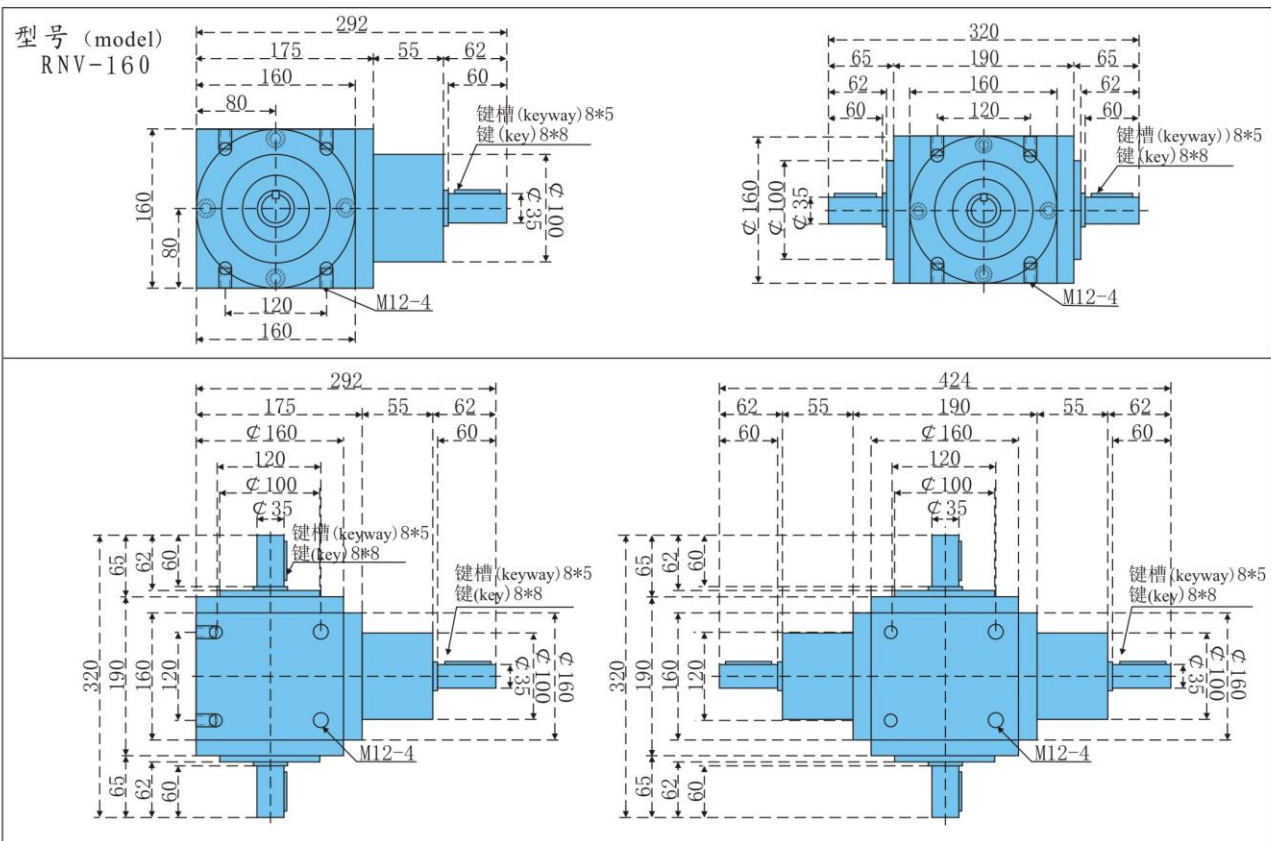
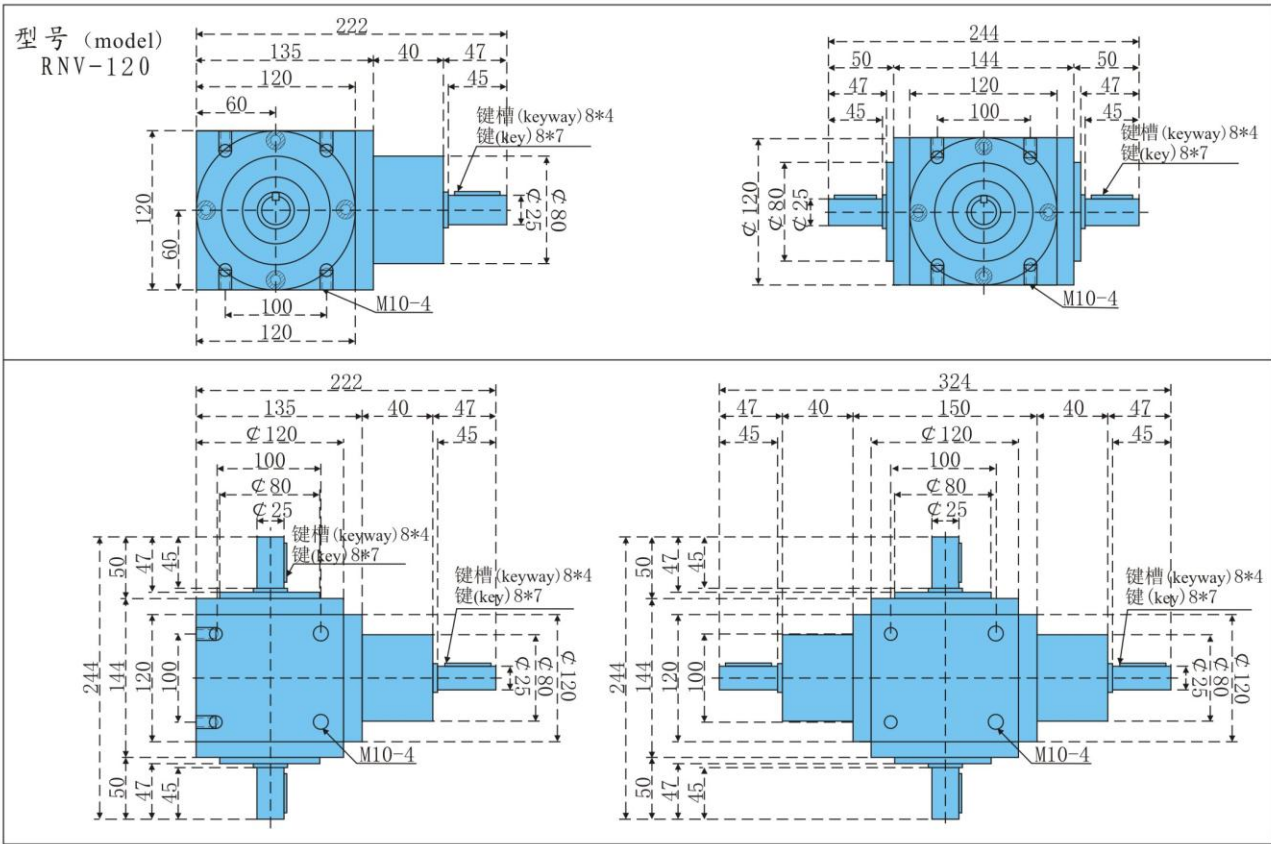
RNV 十字转向器

spiral bevel gearbox



RNV 十字转向器

spiral bevel gearbox



RNV 十字转向器

spiral bevel gearbox

