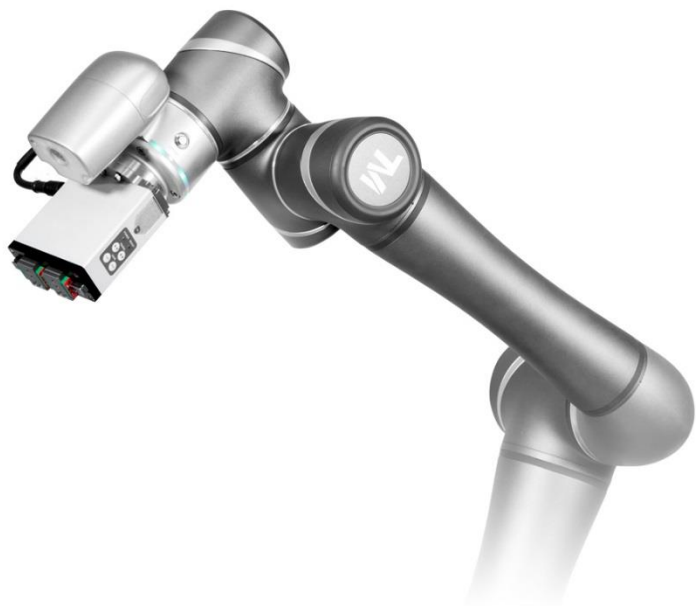


HIWIN®



TM Plug & Play Version with S-series

快速安裝指南
Operation procedure

上銀科技股份有限公司
HIWIN TECHNOLOGIES CORP.

● 前言

本操作手冊目的在使操作人員，除了可以更快瞭解機台特性外，更可經由閱讀操作手冊後，可以獨立進行機台的操作，並且避免因不熟悉機台特性，而造成工作傷害，所以操作機台前，請詳細閱讀操作相關說明，以確保機台順利運行及人員操作安全。

本操作手冊適用於電動夾爪S系列結合 TM5 使用。

● 使用流程

TM Plug & Play Version: S-SeriesP. 2

腳位定義.....P. 3

SEG-04組裝流程圖.....P. 4

SEG-24組裝流程圖.....P. 5

STG-16組裝流程圖.....P. 6

● Introduction

After reading this manual thoroughly, operator can not only familiar with product, but also can operate product completely independently. While operating product, use the method recommended in this manual to avoid product damage or personal injury.

This manual is applied to S-Series with TM-5.

● Procedures

TM Plug & Play Version: S-Series.....P.2

PIN DEFINEP.3

SEG-04 ASSEMBLE FLOW DIAGRAM.....P.4

STG-24 ASSEMBLE FLOW DIAGRAM.....P.5

STG-16 ASSEMBLE FLOW DIAGRAM.....P.6

TM Plug & Play Version: S-SeriesP. 2

● 型號表示法:

SEG-24-TM

● 標準配件:

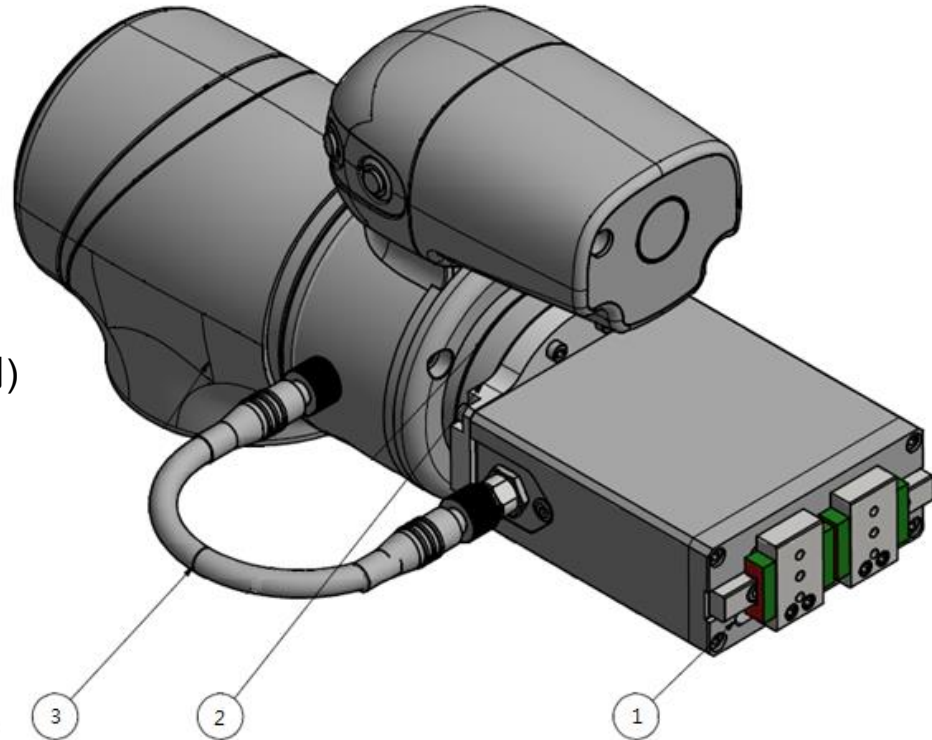
1. 整合型電動夾爪 x 1 pcs
2. 轉接板 x 1 set (搭配TM 手臂專用)
3. S系列動力I/O線 x 1 pcs (搭配TM 手臂專用)

● Model number example:

SEG-24-TM

● Standard shipping items:

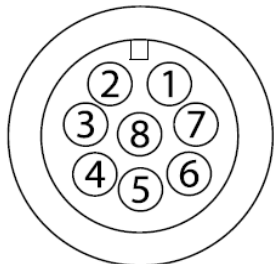
1. Integrated electric gripper x 1 pcs
2. Adapter x 1 set (Special type for TM)
3. Actuator cable x 1 pcs (Special type for TM)



8 Pin 數位I/O連接器 (TM5)

8 Pin Digital I/O Connector (TM5)

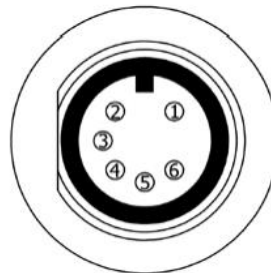
Pin	Pin Define	
1	+24v	24 OUTPUT
2	DI_0	Digital Input0
3	DI_1	Digital Input1
4	DI_2	Digital Input2
5	DO_0	Digital Output0
6	DO_1	Digital Output1
7	DO_2	Digital Output2
8	+0v	+0v



6 Pin I/O連接器 (SEG-24)

6 Pin I/O Connector (SEG-24)

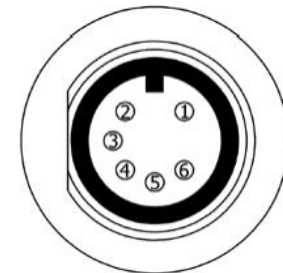
Pin	Pin Define	
1	IN1	Ready
2	IN2	DIR [O/C]
3	OUT1	Busy
4	VCC	24v/1A
5	GND	0v
6	OUT2	Alarm
7	---	Shielding



6 Pin I/O連接器 (SEG-04, STG-16)

6 Pin I/O Connector (SEG-04, STG-16)

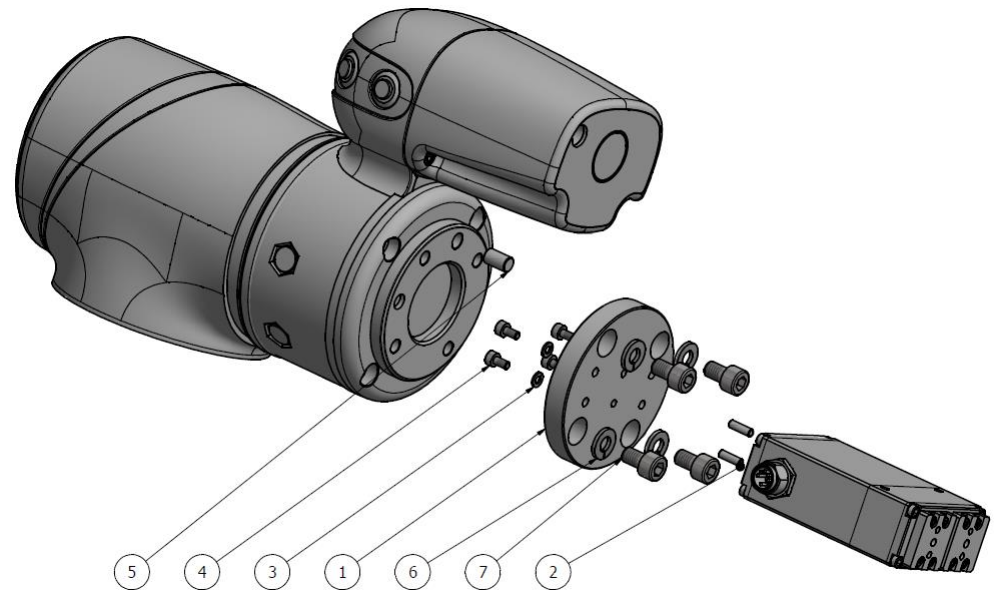
Pin	Pin Define	
1	IN1	Ready
2	IN2	DIR [O/C]
3	OUT1	Busy
4	VCC	24v/1A
5	GND	0v
6	---	None
7	---	Shielding



SEG-04組裝流程圖.....P. 4

SEG-04 ASSEMBLE FLOW DIAGRAM.....P.4

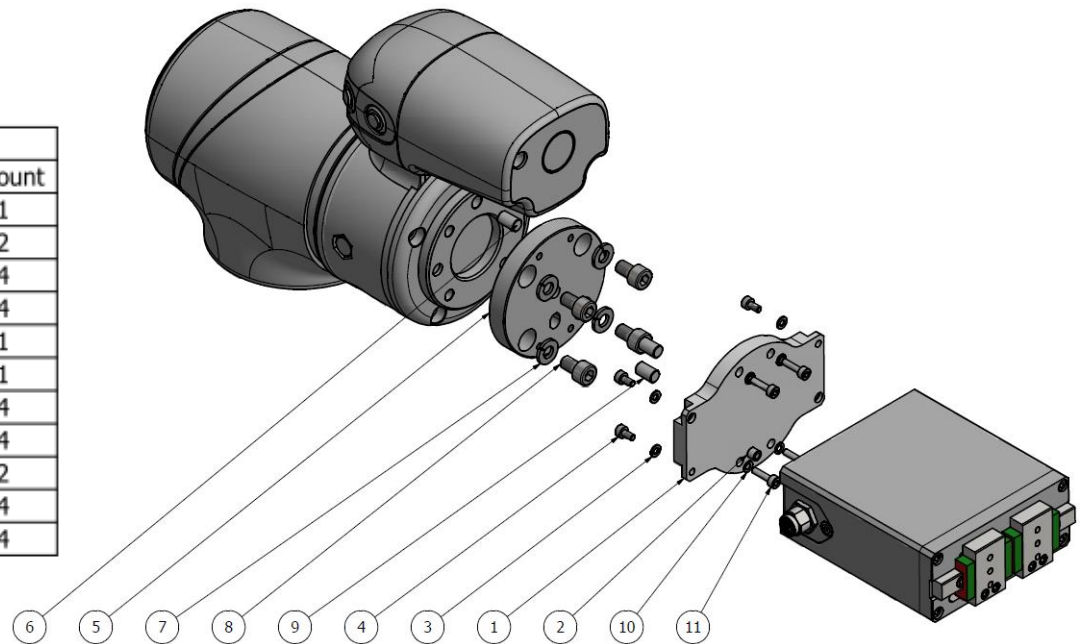
SEG-04&TM5			
Items	Parts	Description	Amount
1	SEG04 adapter		1
2	Pin	Ø3x10L	2
3	Spring Washer	M3 SUS304	4
4	Bolt	M3X0.5PX6L SUS304	4
5	Pin	Ø6x10L	1
6	Spring Washer	M6 SUS304	4
7	Bolt	M6X1PX8L SUS304	4



SEG-24組裝流程圖.....P.5

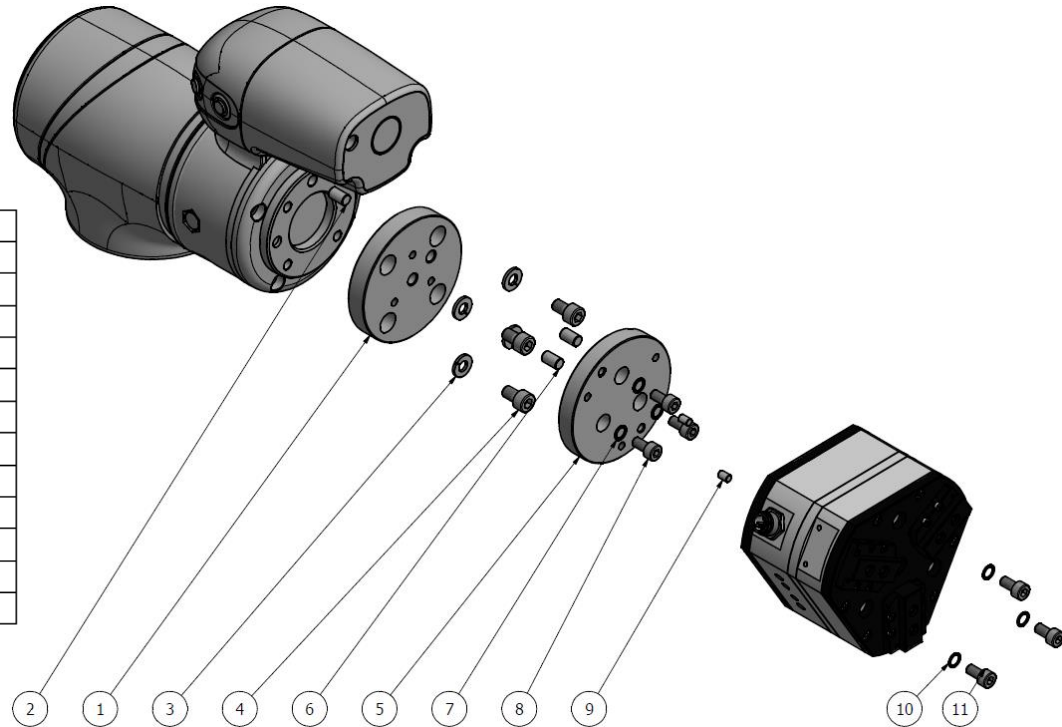
SEG-24ASSEMBLE FLOW DIAGRAM.....P.5

SEG-24&TM5			
Items	Parts	Description	Amount
1	SEG-24 adapter		1
2	SEG-24 Centering Sleeve	Ø5xØ3X4L	2
3	Spring Washer	M3 SUS304	4
4	Bolt	M3X0.5PX8L SUS304	4
5	TM5 adapter		1
6	Pin	Ø6x10L	1
7	Spring Washer	M6 SUS304	4
8	Bolt	M6X1PX8L SUS304	4
9	Pin	Ø6X10L	2
10	Spring Washer	M4 SUS304	4
11	Bolt	M4X0.7PX16L SUS304	4



STG-16組裝流程圖.....P. 6

STG-16 ASSEMBLE FLOW DIAGRAM.....P.6



STG-16&TM5			
Items	Parts	Description	Amount
1	TM5 adapter		1
2	Pin	Ø6x10L	1
3	Spring Washer	M6 SUS304	4
4	Bolt	M6X1PX8L SUS304	4
5	STG-16 adapter		1
6	Pin	Ø6x10L	2
7	Spring Washer	M5 SUS304	3
8	Bolt	M5X0.8PX12L SUS304	3
9	Pin	Ø4x6L	2
10	Spring Washer	M5 SUS304	3
11	Bolt	M5X0.8PX12L SUS304	3