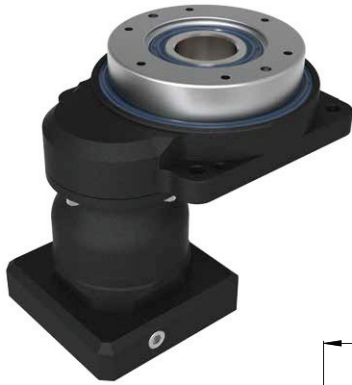


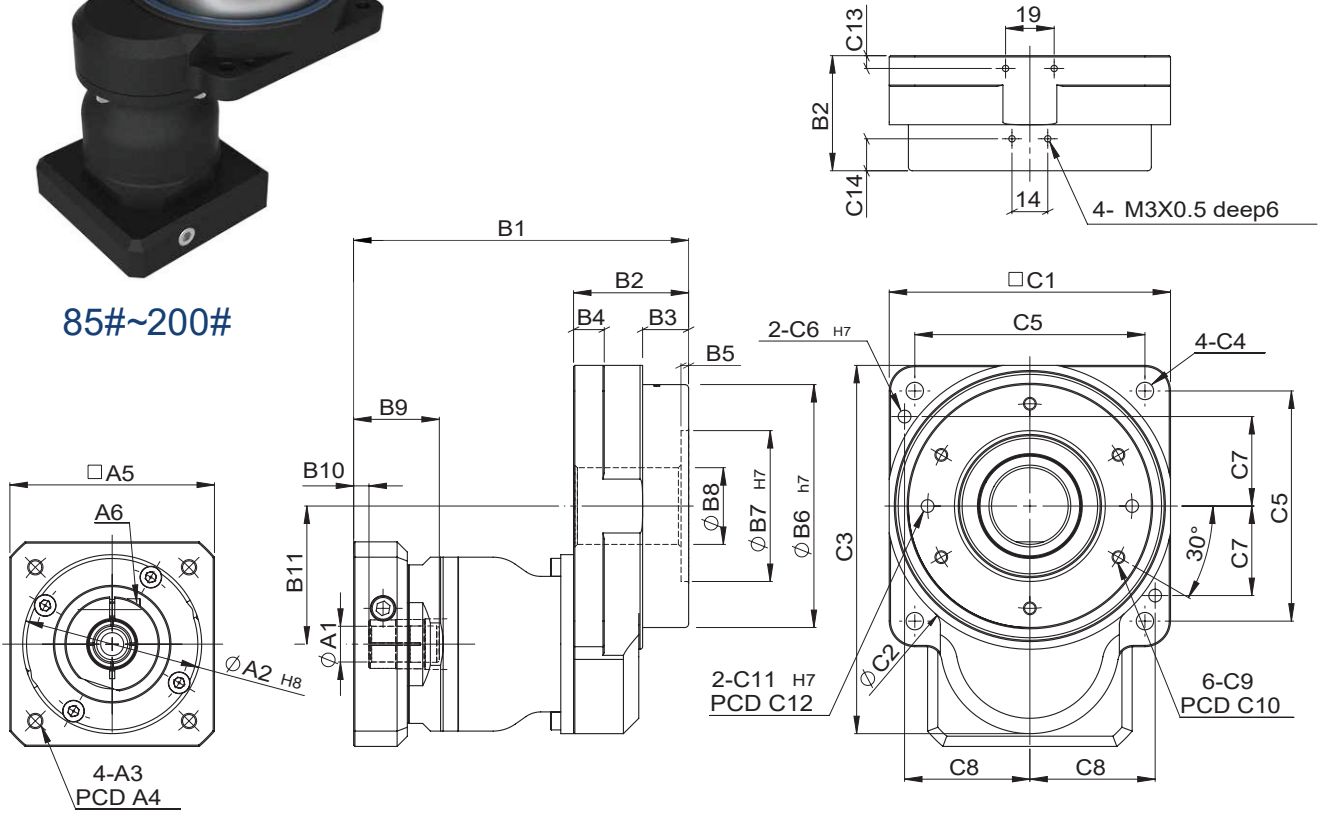
# MODEL : GT-B

RATIO : 25.50.100 ( 雙段 2-Stage)

GT



85#~200#



unit: mm

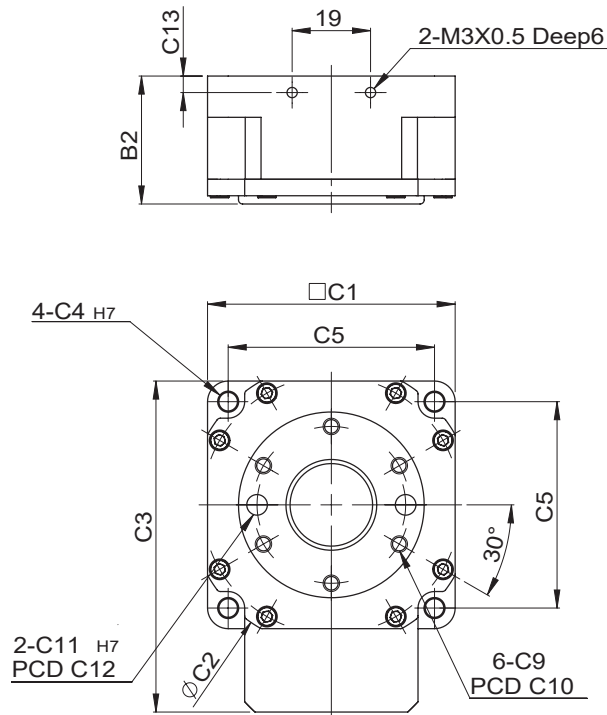
Model Code	60	85	110	135	200	
<b>A</b>	A1	8	14	14	19	
	A2	30 · 40 · 50	30 · 40 · 50	50 · 60 · 70	50 · 60 · 70	50 · 60 · 70
	A3	M3 · M4 · M5	M3 · M4 · M5	M4 · M5 · M6	M4 · M5 · M6	M4 · M5 · M6
	A4	46 · 63 · 60	46 · 63 · 60	70 · 75 · 90	70 · 75 · 90	70 · 75 · 90
	A5	46 · 55	46 · 55	64 · 70 · 80	64 · 70 · 80	64 · 70 · 80
	A6	M4 x 0.7	M4 x 0.7	M5 x 0.8	M5 x 0.8	M5 x 0.8
<b>B</b>	B1	103	116.5	131	141	166.5
	B2	31	44.5	45	55	70
	B3	6	21.5	18	22	30
	B4	10	10	12	15	20
	B5	2	3	3	3	4
	B6	45	70	95	115	170
	B7	-	52	59	92	120
	B8	20	22	30	50	75
	B9	32	32	33.5	33.5	45.5
	B10	4.5	5	6	6	10
	B11	29.2	41.6	54	66.6	92.5
<b>C</b>	C1	60	85	110	135	200
	C2	69	87	112	138	202
	C3	80.2	110.1	144	169.1	242.5
	C4	4.5	5.5	6.8	9	11
	C5	50	70	90	110	170
	C6	-	4	5	5	8
	C7	-	28	35	45	68
	C8	-	38	49	60	85
	C9	M4 x 0.7	M4 x 0.7	M5 x 0.8	M5 x 0.8	M6 x 1.0
	C10	38	62.5	80	104	155
	C11	5 deep6	5 deep6	5 deep6	5 deep5	8 deep8
	C12	36	62.5	80	104	155
	C13	4	4	5	5.5	9
	C14	-	7.5	12.5	17	24

# Characteristic of GT-B 2-Stage Series

## GT-B 雙段系列產品特性



60#



### GT-B 雙段減速機 2-Stage

特性 Characteristic	代號	單位 Unit	速比 Ratio	60B	85B	110B	135B	200B
輸出平台支撐軸 / Output Table Supporting Bearing			25~100	深溝滾珠軸承 / Ball Bearing				
額定輸出扭矩 / Rated Output Torque (Nominal output torque)	$T_{2N}$	Nm	25	5	18	33	43	142
			50	4	14	26	34	112
			100	4	14	26	34	112
最大加速扭矩 / Max. Acceleration Torque	$T_{2B}$	Nm	25~100	1.5 倍額定輸出扭矩 1.5 Times of Rated Output Torque				
最大輸出扭矩 / Max. Output Torque 急停扭矩 / Emergency Stop Torque	$T_{2NOT}$	Nm	25~100	2 倍額定輸出扭矩 2 Times of Rated Output Torque				
慣性慣量 / Inertia Moment		kg.m <sup>2</sup>	25~100	$777 \times 10^{-7}$	$1268 \times 10^{-6}$	$1562 \times 10^{-6}$	$2918 \times 10^{-6}$	$29072 \times 10^{-6}$
出力容許轉速 / Output Permissible Speed		rpm	25~100	300	300	300	300	300
回程間隙 / Torsional Backlash		arcmin	25~100	≤ 3	≤ 3	≤ 3	≤ 3	≤ 3
動態齒輪差 / Lost Motion		arcmin	25~100	2(0.033°)				
重複定位精度 / Repetitive Positioning Accuracy		arcsec	25~100	±10(0.0028°)				
容許載重 / Permissible Thrust Load		N	25~100	350	600	800	1450	2500
容許慣量載重 / Permissible Moment Load		Nm	25~100	7	12	16	30	50
工作台面偏擺 / Runout of Output Table Surface		mm	25~100	0.01	0.01	0.015	0.015	0.02
工作台面同心度 / Runout of Output Table Inner / Outer Diameter		mm	25~100	0.01	0.01	0.015	0.015	0.02
工作台面平行度 / Parallelism of Output Table		mm	25~100	0.02	0.02	0.025	0.025	0.03
防護等級 / Protection Class			25~100	IP65				
重量 / Weight		Kg	25~100	1.1	1.95	3.76	4.92	11.8