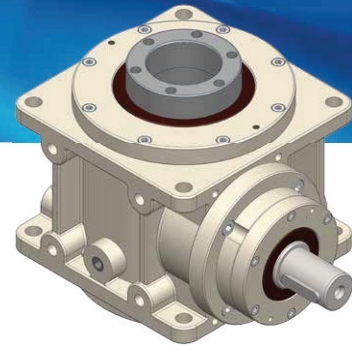
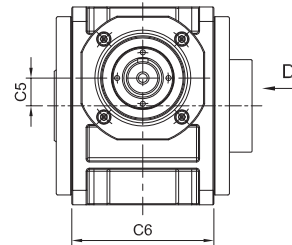
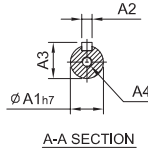
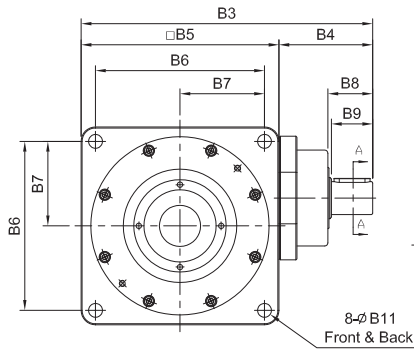
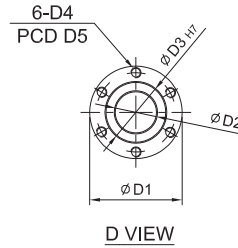
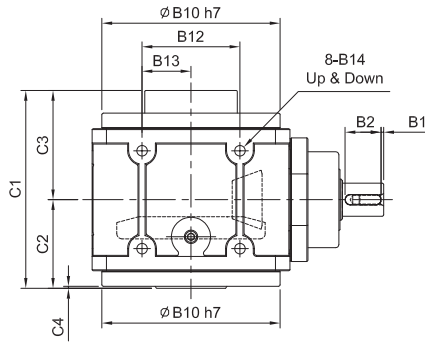


HY-DP Series

RATIO : 5.10.15 (1-Stage)



Single Input Shaft - Ball Screw



unit: mm

Model Code	75	90	115	130	140	160	190	
	A							
A1	19	24	28	32	32	38	40	
A2	6	8	8	10	10	12	12	
A3	21.5	27	31	35	35	41	43	
A4	M6 x P1.0	M8 x P1.25	M10 x P1.5	M10 x P1.5	M10 x P1.5	M12 x P1.75	M12 x P1.75	
B								
B1	2.5	2.5	2.5	5	5	5	5	
B2	25	35	35	40	40	50	50	
B3	181	218	260	293	315	367	403	
B4	66	78	90	101	100	127	139	
B5	115	140	170	192	215	240	264	
B6	98	118	144	164	182	206	224	
B7	49	59	72	82	91	103	112	
B8	32	42.5	42.5	52.5	51.5	63	63.5	
B9	30	40	40	50	50	60	60	
B10	103	128	148	173	200	227	254	
B11	9	11	11	13.5	15	17.5	17.5	
B12	54	66	80	95	104	120	140	
B13	27	33	40	47.5	52	60	70	
B14	M8 x P1.25	M10 x P1.5	M12 x P1.75	M12 x P1.75	M14 x P2.0	M16 x P2.0	M16 x P2.0	
C								
C1	125	140	177	193	205	230	260	
C2	58	66	78.5	87	94	107	123	
C3	67	74	98.5	106	111	123	137	
C4	3.25	2	2.5	2	2.5	2.5	3	
C5	50	58	72	72	82	92	117	
C6	75	82	105	121	123	138	143	
C7	14	18	23	27	32	38	42	
C8	80	100	120	138	146	166	196	
D								
D1	54.7	64.7	89.7	89.7	99.7	117.7	129.7	
D2	22	30	38	40	44	54	65	
D3	34	40	58	58	64	75	90	
D4	M5 x P0.8	M5 x P0.8	M10 x P1.5	M10 x P1.5	M10 x P1.5	M12 x P1.75	M12 x P1.75	
D5	45	51	77	77	84	97	112	
Weight	kg	4.2	7.8	12.2	19.2	29.6	38.7	55.5