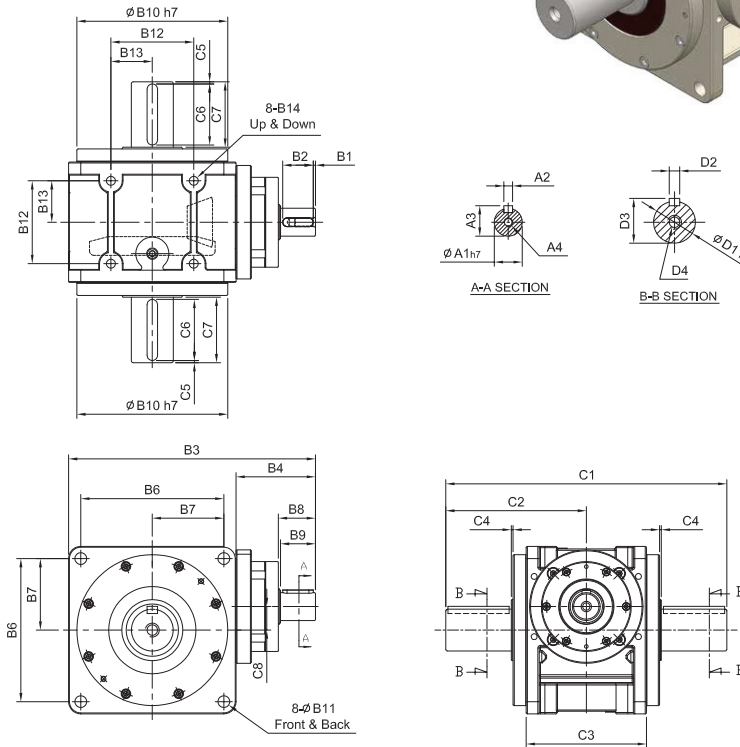
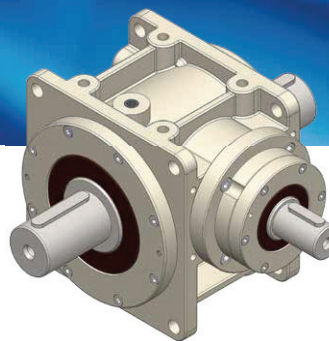


HY-DV Series

RATIO : 5.10.15 (1-Stage)

Single Input Shaft - Double Output Shaft



unit: mm

Model Code	55	75	90	115	130	140	160	190	
	A								
A1	14	19	24	28	32	32	38	40	
A2	5	6	8	8	10	10	12	12	
A3	16	21.5	27	31	35	35	41	43	
A4	M5 x P0.8	M6 x P1.0	M8 x P1.25	M10 x P1.5	M10 x P1.5	M10 x P1.5	M12 x P1.75	M12 x P1.75	
B									
B1	2.5	2.5	2.5	2.5	5	5	5	5	
B2	20	25	35	35	40	40	50	50	
B3	147	181	218	260	293	315	367	403	
B4	57	66	78	90	101	100	127	139	
B5	90	115	140	170	192	215	240	264	
B6	78	98	118	144	164	182	206	224	
B7	39	49	59	72	82	91	103	112	
B8	27	32	42.5	42.5	52.5	51.5	63	63.5	
B9	25	30	40	40	50	50	60	60	
B10	84	103	128	148	173	200	227	254	
B11	6.8	9	11	11	13.5	15	17.5	17.5	
B12	44	54	66	80	95	104	120	140	
B13	22	27	33	40	47.5	52	60	70	
B14	M6 x P1.0	M8 x P1.25	M10 x P1.5	M12 x P1.75	M12 x P1.75	M14 x P2.0	M16 x P2.0	M16 x P2.0	
C									
C1	158	188	232	276	322	367	412	462	
C2	79	94	116	138	161	183.5	206	231	
C3	60	80	100	120	138	146	166	196	
C4	2	2	2	2	2	2	2	2	
C5	5	5	5	5	5	5	5	5	
C6	25	30	40	50	65	80	90	100	
C7	35	40	50	60	75	90	100	110	
C8	9	14	18	23	27	32	38	42	
D									
D1	20	24	32	40	48	55	60	70	
D2	6	8	10	12	12	14	14	16	
D3	22.5	27	35	43	51	58.5	63.5	74	
D4	M6 x P1.0	M8 x P1.25	M10 x P1.5	M10 x P1.5	M12 x P1.75	M16 x P2.0	M20 x P2.5	M20 x P2.5	
Weight	kg	3.1	5.3	9.2	14.7	23.6	37.7	47.8	70.6