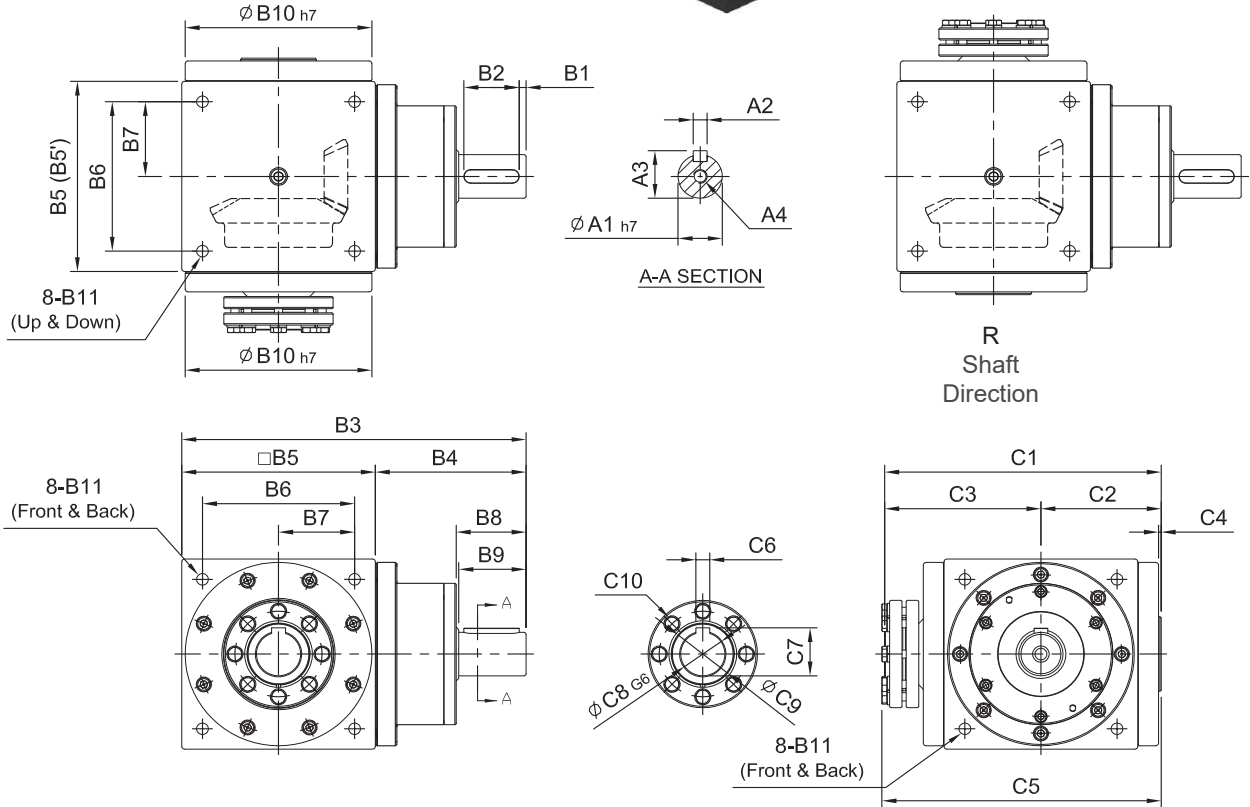
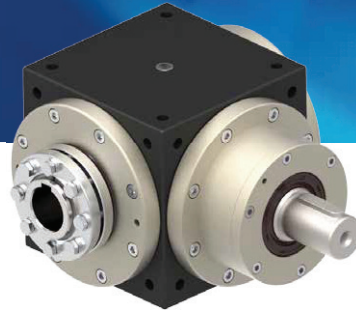


ST-DN Series

RATIO : 1,2,3,4,5 (1-Stage)

Single Input Shaft - Single Clamping



unit: mm

Model Code	65	65(1:1)	75	90	110	140	170	210	
A	A1	14	14	16	18	22	32	40	50
	A2	5	5	5	6	6	10	12	14
	A3	16	16	18	20.5	24.5	35	43	53.5
	A4	M5 x P0.8	M5 x P0.8	M5 x P0.8	M8 x P1.25	M8 x P1.25	M10 x P1.5	M12 x P1.75	M12 x P1.75
B	B1	2.5	2.5	2.5	5	5	5	5	5
	B2	15	15	25	25	30	40	50	65
	B3	127.5	127.5	143	168.5	207	250	300	375
	B4	62.5	62.5	68	78.5	97	110	130	165
	B5(B5')	65	65	75(74)	90	110	140	170	210
	B6	52	52	60	72	88	110	134	170
	B7	26	26	30	36	44	55	67	85
	B8	22	22	32	38	43	53.5	64	77
	B9	20	20	30	35	40	50	60	75
	B10	62	64	73	88	106	135	164	205
B11	M5 x P0.8	M5 x P0.8	M6 x P1.0	M6 x P1.0	M8 x P1.25	M10 x P1.5	M12 x P1.75	M16 x P2.0	
C	C1	104	109	120	138	169	202	240	285
	C2	42	44.5	50	59	72	87	102	125
	C3	62	64.5	70	79	97	115	138	160
	C4	2	2	2	2	2	2	2	2
	C5	110	113	124	142	171	202	242	288
	C6	5	5	5	6	8	10	12	14
	C7	16.3	16.3	16.3	20.8	25.3	35.3	43.3	53.3
	C8	14	14	14	18	22	32	40	50
	C9	22	22	22	28	34	44	52	65
	C10	6-M6	6-M6	6-M6	6-M6	8-M6	8-M6	8-M8	8-M8
Weight	kg	2.1	2.1	2.8	4.9	8.59	15.5	25	53