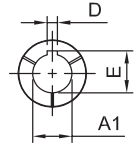
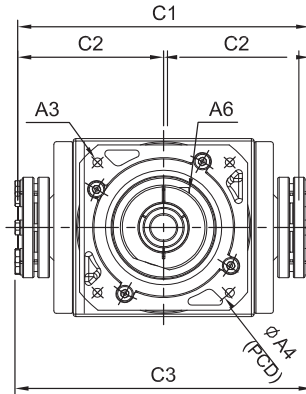
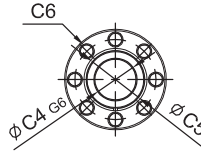
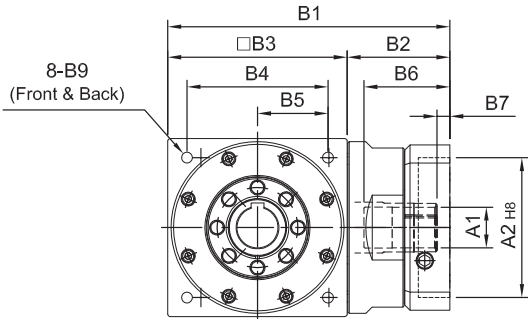
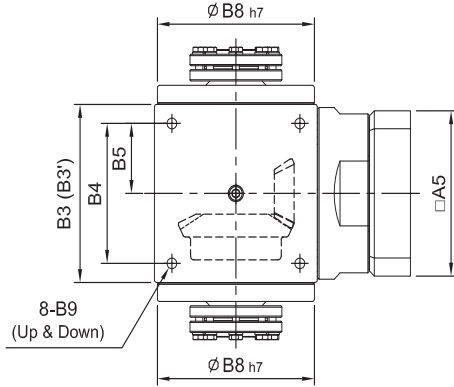


# ST-FM Series

RATIO : 1,2,3,4,5 (1-Stage)



Input Flange - Double Clamping



(170#以上)

$\varnothing A1$	D	E
$\varnothing 35$	10	38.3
$\varnothing 38$	10	41.3
$\varnothing 42$	12	45.3
$\varnothing 48$	14	51.8
$\varnothing 55$	16	59.3

unit: mm

Model Code	65	65(1:1)	75	90	110	140	170	210	
<b>A</b>	A1	9, 1, 14	9, 11, 14	14, 19	16, 19, 22, 24	19, 22, 24	24, 28, 32, 35	35, 38	35, 38, 42, 48, 55
	A2	50, 60, 70	50, 60, 70	50, 60, 70	70, 80, 95, 110	70, 80, 95, 110	95, 110, 130	110, 130, 180	114.3, 180, 230
	A3	M4, M5, M6	M4, M5, M6	M4, M5, M6	M5, M6, M8	M5, M6, M8	M6, M8, M10	M8, M10, M12	M10, M12, M16
	A4	70, 75, 90	70, 75, 90	70, 75, 90	90, 100, 115, 145	90, 100, 115, 145	115, 145, 165	145, 165, 200	200, 215, 265
	A5	64, 70, 80	64, 70, 80	64, 70, 80	92, 110, 130	92, 110, 130	122, 130, 150	146, 150, 190	182, 200, 250
	A6	M5 x P0.8	M5 x P0.8	M5 x P0.8	M6 x P1.0	M6 x P1.0	M8 x P1.25	M10 x P1.5	M10 x P1.5
<b>B</b>	B1	110	110	115, 122	148, 162	177, 191	224, 238	274	357, 359
	B2	45	45	40	58, 72	67, 81	84, 98	104	147
	B3(B3')	65	65	75(74)	90	110	140	170	210
	B4	52	52	60	72	88	110	134	170
	B5	26	26	30	36	44	55	67	85
	B6	36	36	36, 43	51, 65.5	51, 65.5	68, 81	84.5	117
	B7	7	7	7, 13	9, 23.5	9, 23.5	9, 10	9.5	14, 16
	B8	62	64	73	88	106	135	164	205
B9	M5 x P0.8	M5 x P0.8	M6 x P1.0	M6 x P1.0	M8 x P1.25	M10 x P1.5	M12 x P1.75	M16 x P2.0	
<b>C</b>	C1	124	129	140	158	194	230	276	320
	C2	62	64.5	70	79	97	115	138	160
	C3	136	138	150	166	198	232	280	327
	C4	14	14	14	18	22	32	40	50
	C5	22	22	22	28	34	44	52	65
	C6	6-M6	6-M6	6-M6	6-M6	8-M6	8-M6	8-M8	8-M8
Weight	kg	1.7	1.7	2.4	4.3	7.1	14.9	24.5	46