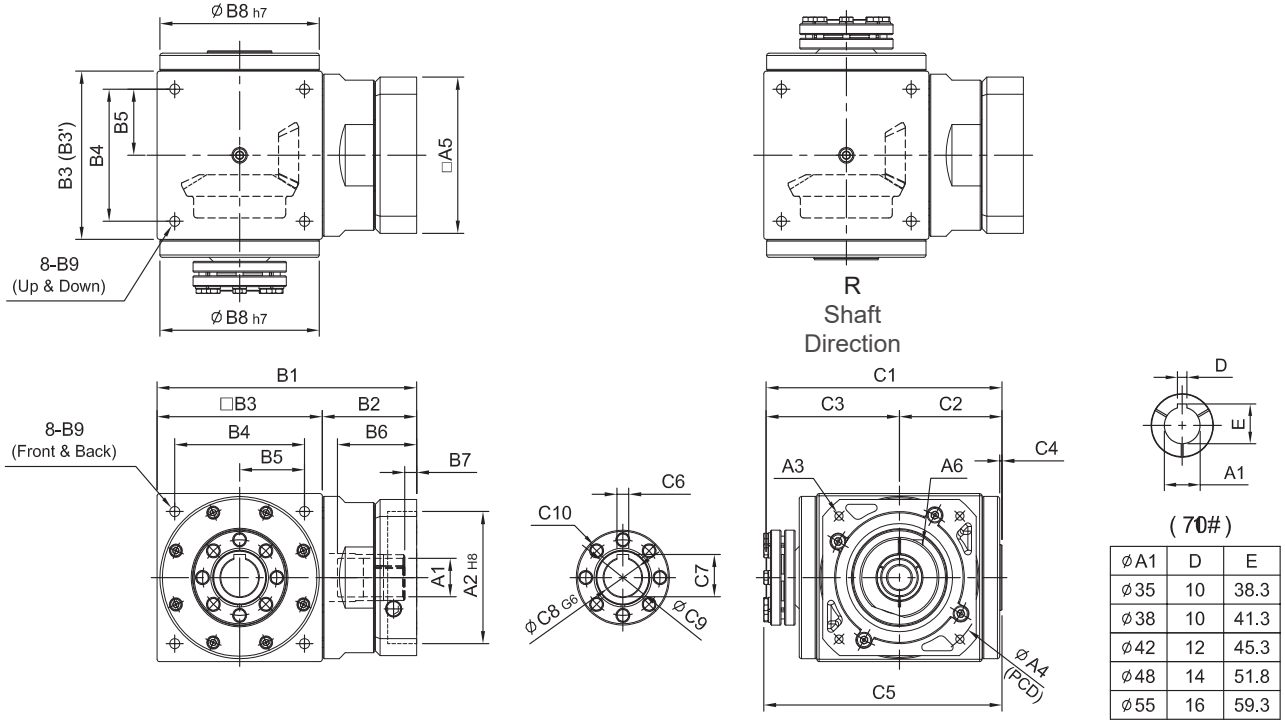


ST-FN Series

RATIO : 1,2,3,4,5 (1-Stage)

Input Flange - Single Clamping



unit: mm

Model Code	65	65(1:1)	75	90	110	140	170	210
	A	A1: 9, 11, 14 A2: 50, 60, 70 A3: M4, M5, M6 A4: 70, 75, 90 A5: 64, 70, 80 A6: M5 x P0.8	A1: 9, 11, 14 A2: 50, 60, 70 A3: M4, M5, M6 A4: 70, 75, 90 A5: 64, 70, 80 A6: M5 x P0.8	A1: 14, 19 A2: 50, 60, 70 A3: M4, M5, M6 A4: 70, 75, 90 A5: 64, 70, 80 A6: M5 x P0.8	A1: 16, 19, 22, 24 A2: 70, 80, 95, 110 A3: M5, M6, M8 A4: 90, 100, 115, 145 A5: 92, 110, 130 A6: M6 x P1.0	A1: 19, 22, 24 A2: 70, 80, 95, 110 A3: M5, M6, M8 A4: 90, 100, 115, 145 A5: 92, 110, 130 A6: M6 x P1.0	A1: 24, 28, 32, 35 A2: 95, 110, 130 A3: M6, M8, M10 A4: 115, 145, 165 A5: 122, 130, 150 A6: M8 x P1.25	A1: 35, 38 A2: 110, 130, 180 A3: M8, M10, M12 A4: 145, 165, 200 A5: 146, 150, 190 A6: M10 x P1.5
B	B1: 110 B2: 45 B3(B3'): 65 B4: 52 B5: 26 B6: 36 B7: 7 B8: 62 B9: M5 x P0.8	B1: 110 B2: 45 B3(B3'): 65 B4: 52 B5: 26 B6: 36 B7: 7 B8: 64 B9: M5 x P0.8	B1: 115, 122 B2: 40 B3(B3'): 75(74) B4: 60 B5: 30 B6: 36, 43 B7: 7, 13 B8: 73 B9: M6 x P1.0	B1: 148, 162 B2: 58, 72 B3(B3'): 90 B4: 72 B5: 36 B6: 51, 65.5 B7: 9, 23.5 B8: 88 B9: M6 x P1.0	B1: 177, 191 B2: 67, 81 B3(B3'): 110 B4: 88 B5: 44 B6: 51, 65.5 B7: 9, 23.5 B8: 106 B9: M8 x P1.25	B1: 224, 238 B2: 84, 98 B3(B3'): 140 B4: 110 B5: 55 B6: 68, 81 B7: 9, 10 B8: 135 B9: M10 x P1.5	B1: 274 B2: 104 B3(B3'): 170 B4: 134 B5: 67 B6: 84.5 B7: 9.5 B8: 164 B9: M12 x P1.75	B1: 357, 359 B2: 147 B3(B3'): 210 B4: 170 B5: 85 B6: 117 B7: 14, 16 B8: 205 B9: M16 x P2.0
C	C1: 104 C2: 42 C3: 62 C4: 2 C5: 110 C6: 5 C7: 16.3 C8: 14 C9: 22 C10: 6-M6	C1: 109 C2: 44.5 C3: 64.5 C4: 2 C5: 113 C6: 5 C7: 16.3 C8: 14 C9: 22 C10: 6-M6	C1: 120 C2: 50 C3: 70 C4: 2 C5: 124 C6: 5 C7: 16.3 C8: 14 C9: 22 C10: 6-M6	C1: 138 C2: 59 C3: 79 C4: 2 C5: 142 C6: 6 C7: 20.8 C8: 18 C9: 28 C10: 6-M6	C1: 169 C2: 72 C3: 97 C4: 2 C5: 171 C6: 8 C7: 25.3 C8: 22 C9: 34 C10: 8-M6	C1: 202 C2: 87 C3: 115 C4: 2 C5: 202 C6: 10 C7: 35.3 C8: 32 C9: 44 C10: 8-M6	C1: 240 C2: 102 C3: 138 C4: 2 C5: 242 C6: 12 C7: 43.3 C8: 40 C9: 52 C10: 8-M8	C1: 285 C2: 125 C3: 160 C4: 2 C5: 288 C6: 14 C7: 53.3 C8: 50 C9: 65 C10: 8-M8
Weight	kg: 1.7	kg: 1.7	kg: 2.4	kg: 4.3	kg: 7.1	kg: 14.9	kg: 24.5	kg: 46