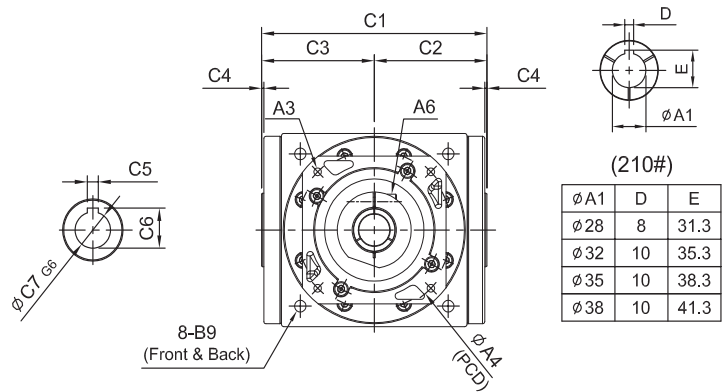
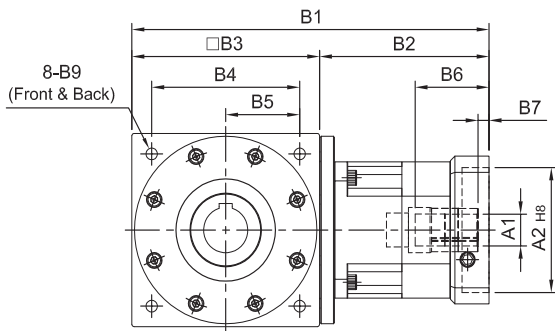
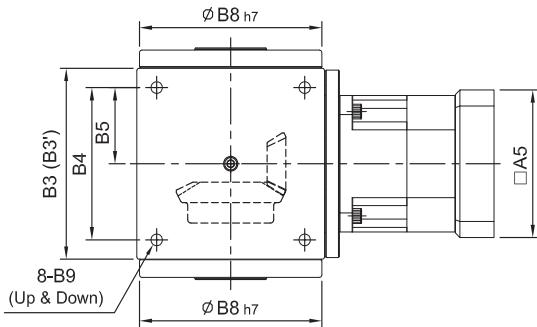
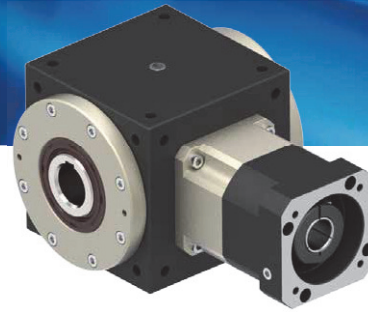


# ST-RO Series

RATIO : 10,15,20,25,30,40,50 ( 2-Stage)

Fitted with Planetary Reducer - Hollow Output Shaft



unit: mm

	Model Code	65	75		90	110	140	170	210
		A	A1	8, 9, 11, 14	8, 9, 11, 14	11, 14, 16, 19	11, 14, 16, 19	(14), 16, 19	16, 19, 22, 24
	A2	30, 40, 50	30, 40, 50	50, 60, 70	50, 60, 70	50, 70, 80, 95	70, 80, 95, 110	95, 110, 130	110, 130, 180
	A3	M3, M4, M5	M3, M4, M5	M4, M5, M6	M4, M5, M6	M5, M6	M5, M6, M8	M6, M8, M10	M8, M10, M12
	A4	46, 60, 63	46, 60, 63	70, 75, 90	70, 75, 90	70, 90, 100, 115	90, 100, 115, 145	115, 145, 165	145, 165, 200
	A5	46, 55	46, 55	64, 70, 80	64, 70, 80	80, 92, 110	92, 110, 130	122, 130, 150	146, 150, 190
	A6	M4 x P0.7	M4 x P0.7	M5 x P0.8	M5 x P0.8	M5 x P0.8	M6 x P1.0	M8 x P1.25	M10 x P1.5
B	B1	132	137	149, 157	165, 173	(191), 203	260	313, 334	399
	B2	67	62	74, 82	75, 83	(81), 93	120	143, 164	189
	B3(B3')	65	75(74)	75(74)	90	110	140	170	210
	B4	52	60	60	72	88	110	134	170
	B5	26	30	30	36	44	55	67	85
	B6	26	26	33.5, 41.5	33.5, 41.5	(33.5), 45.5	59	67, 83	85
	B7	5	5	6	6	(6), 10	9	10, 11	10
	B8	62	73	73	88	106	135	164	205
	B9	M5 x P0.8	M6 x P1.0	M6 x P1.0	M6 x P1.0	M8 x P1.25	M10 x P1.5	M12 x P1.75	M16 x P2.0
C	C1	84	100	100	118	144	174	204	250
	C2	42	50	50	59	72	87	102	125
	C3	42	50	50	59	72	87	102	125
	C4	2	2	2	2	2	2	2	2
	C5	5	5	5	6	8	10	12	14
	C6	16.3	16.3	16.3	20.8	25.3	35.3	43.3	53.3
	C7	14	14	14	18	22	32	40	50
Weight	kg	1.9	3.6	3.4	4.8	8.5	14.2	24	52