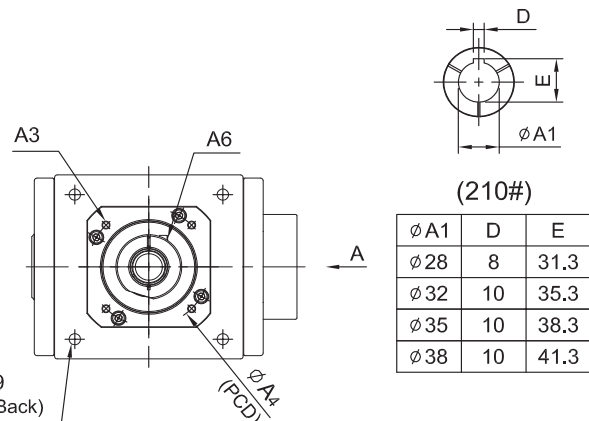
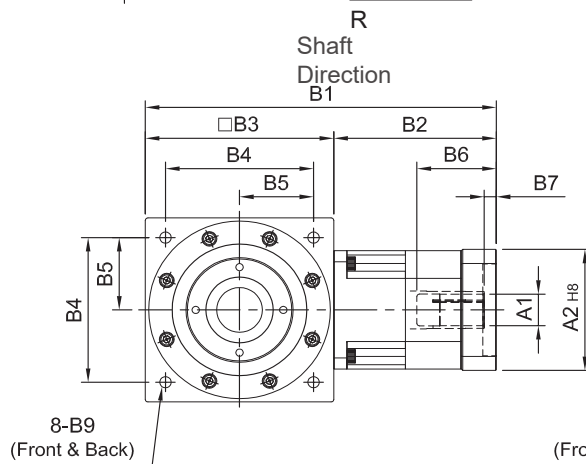
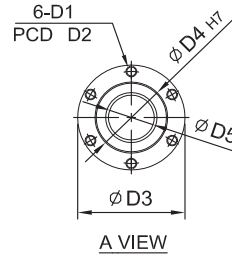
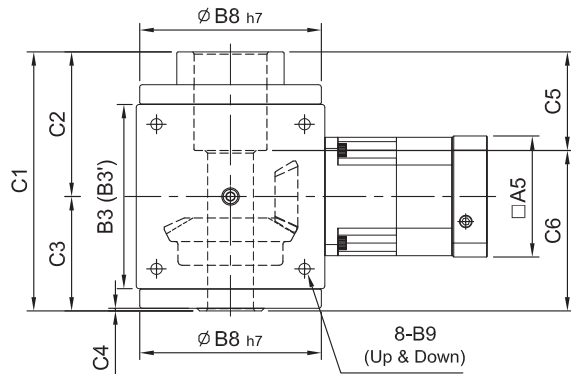


# ST-RP Series

RATIO : 10,15,20,25,30,40,50 (2-Stage)

Fitted with Planetary Reducer - Ball Screw



(210#)

$\phi A1$	D	E
$\phi 28$	8	31.3
$\phi 32$	10	35.3
$\phi 35$	10	38.3
$\phi 38$	10	41.3

unit: mm

Model Code	75	90	110	140	170	210	
A	A1	8, 9, 11, 14	11, 14, 16, 19	(14), 16, 19	16, 19, 22, 24	22, 24, 28, 32, 35	28, 32, 35, 38
	A2	30, 40, 50	50, 60, 70	50, 70, 80, 95	70, 80, 95, 110	95, 110, 130	110, 130, 180
	A3	M3, M4, M5	M4, M5, M6	M5, M6	M5, M6, M8	M6, M8, M10	M8, M10, M12
	A4	46, 60, 63	70, 75, 90	70, 90, 100, 115	90, 100, 115, 145	115, 145, 165	145, 165, 200
	A5	46, 55	64, 70, 80	80, 92, 110	92, 110, 130	122, 130, 150	146, 150, 190
	A6	M4 x P0.7	M5 x P0.8	M5 x P0.8	M6 x P1.0	M8 x P1.25	M10 x P1.5
B	B1	149	165, 173	191	260	313, 334	399
	B2	62	75, 83	81	120	143, 164	189
	B3(B3')	75(74)	90	110	140	170	210
	B4	60	72	88	110	134	170
	B5	30	36	44	55	67	85
	B6	26	33.5, 41.5	33.5	59	67, 83	85
	B7	5	6	6	9	10, 11	10
	B8	73	88	106	135	164	205
	B9	M6 x P1.0	M6 x P1.0	M8 x P1.25	M10 x P1.5	M12 x P1.75	M16 x P2.0
C	C1	106	127	156	197	223	267
	C2	57	68	84	109	121	142
	C3	49	59	72	88	102	125
	C4	1.25	2	2	2	2.25	2.25
	C5	33	44	55	75	72	82
	C6	73	83	101	122	153	185
D	D1	M4 x P0.7	M5 x P0.8	M5 x P0.8	M8 x P1.25	M10 x P1.5	M10 x P1.5
	D2	36	40	45	70	77	84
	D3	41.7	46.7	57.7	79.7	89.7	99.7
	D4	26	30	36	54	58	64
	D5	15	18	22	34	38	42
Weight	kg	3.6	4.8	8.5	14.2	24	52