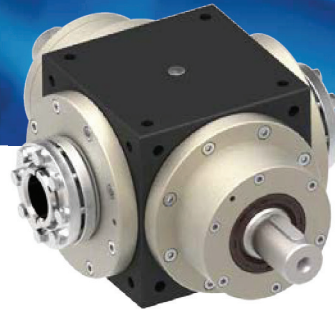


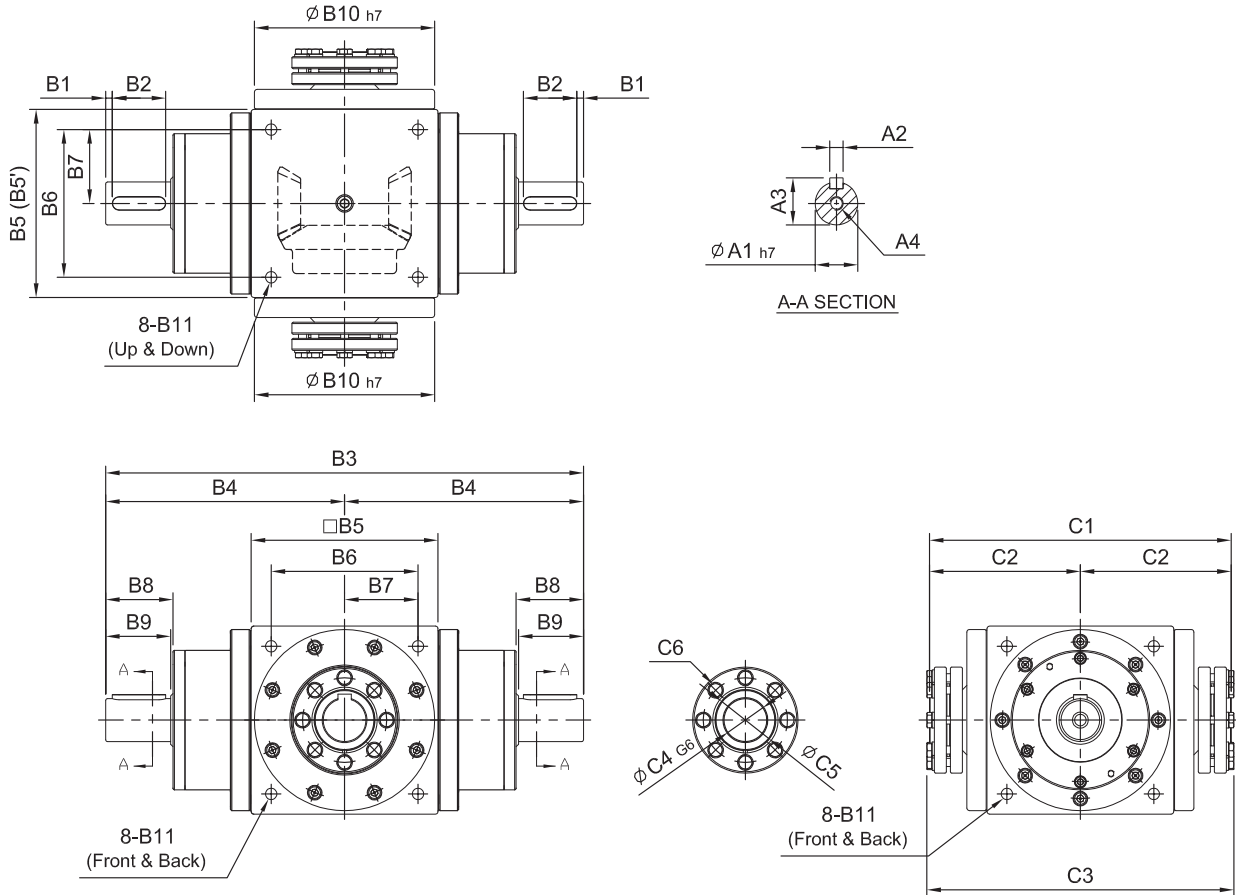
# ST-YM Series

RATIO : 1,2,3,4,5 (1-Stage)

Double Input Shaft - Double Clamping



ST



unit: mm

A	Model Code	65	65(1:1)	75	90	110	140	170	210
	A1	14	14	16	18	22	32	40	50
A2	5	5	5	6	6	10	12	14	
A3	16	16	18	20.5	24.5	35	43	53.5	
A4	M5 x P0.8	M5 x P0.8	M5 x P0.8	M8 x P1.25	M8 x P1.25	M10 x P1.5	M12 x P1.75	M12 x P1.75	
B	B1	2.5	2.5	2.5	5	5	5	5	5
	B2	15	15	25	25	30	40	50	65
	B3	190	190	210	247	304	360	430	540
	B4	95	95	95	123.5	152	180	215	270
	B5(B5')	65	65	75(74)	90	110	140	170	210
	B6	52	52	60	72	88	110	134	170
	B7	26	26	30	36	44	55	67	85
	B8	22	22	32	38	43	53.5	64	77
	B9	20	20	30	35	40	50	60	75
	B10	62	64	73	88	106	135	164	205
C	B11	M5 x P0.8	M5 x P0.8	M6 x P1.0	M6 x P1.0	M8 x P1.25	M10 x P1.5	M12 x P1.75	M16 x P2.0
	C1	124	129	140	158	194	230	276	320
	C2	62	64.5	70	79	97	115	138	160
	C3	136	138	150	166	198	232	280	327
	C4	14	14	14	18	22	32	40	50
	C5	22	22	22	28	34	44	52	65
Weight	kg	2.85	2.85	3.6	6.2	11.5	18	28	57