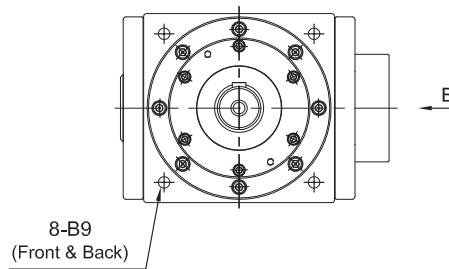
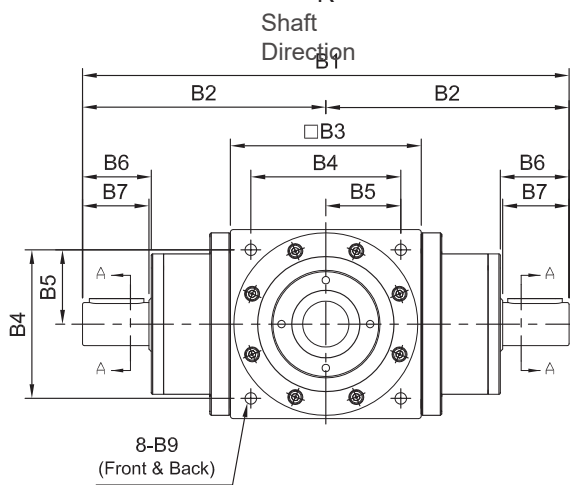
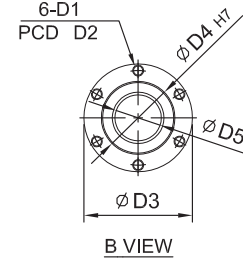
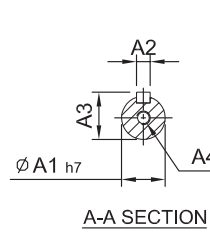
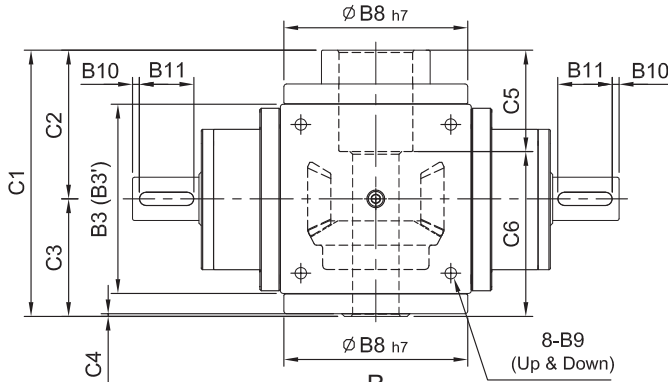
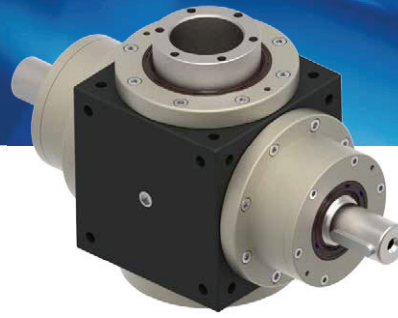


# ST-YP Series

RATIO : 2,3,4,5 (1-Stage)

Double Input Shaft - Ball Screw



unit: mm

Model Code	75	90	110	140	170	210	
	<b>A</b>						
A1	16	18	22	32	40	50	
A2	5	6	6	10	12	14	
A3	18	20.5	24.5	35	43	53.5	
A4	M5 x P0.8	M8 x P1.25	M8 x P1.25	M10 x P1.5	M12 x P1.75	M12 x P1.75	
<b>B</b>							
B1	210	247	304	360	430	540	
B2	105	123.5	152	180	215	270	
B3(B3')	75(74)	90	110	140	170	210	
B4	60	72	88	110	134	170	
B5	30	36	44	55	67	85	
B6	32	38	43	53.5	64	77	
B7	30	35	40	50	60	75	
B8	73	88	106	135	164	205	
B9	M6 x P1.0	M6 x P1.0	M8 x P1.25	M10 x P1.5	M12 x P1.75	M16 x P2.0	
B10	2.5	5	5	5	5	5	
B11	25	25	30	40	50	65	
<b>C</b>							
C1	106	127	156	197	223	267	
C2	57	68	84	109	121	142	
C3	49	59	72	88	102	125	
C4	1.25	2	2	2	2.25	2.25	
C5	33	44	55	75	72	82	
C6	73	83	101	122	153	185	
<b>D</b>							
D1	M4 x P0.7	M5 x P0.8	M5 x P0.8	M8 x P1.25	M10 x P1.5	M10 x P1.5	
D2	36	40	45	70	77	84	
D3	41.7	46.7	57.7	79.7	89.7	99.7	
D4	26	30	36	54	58	64	
D5	15	18	22	34	38	42	
<b>Weight</b>	kg	3.6	6.2	11.5	18	28	57

ST