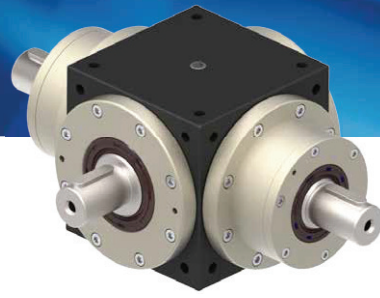


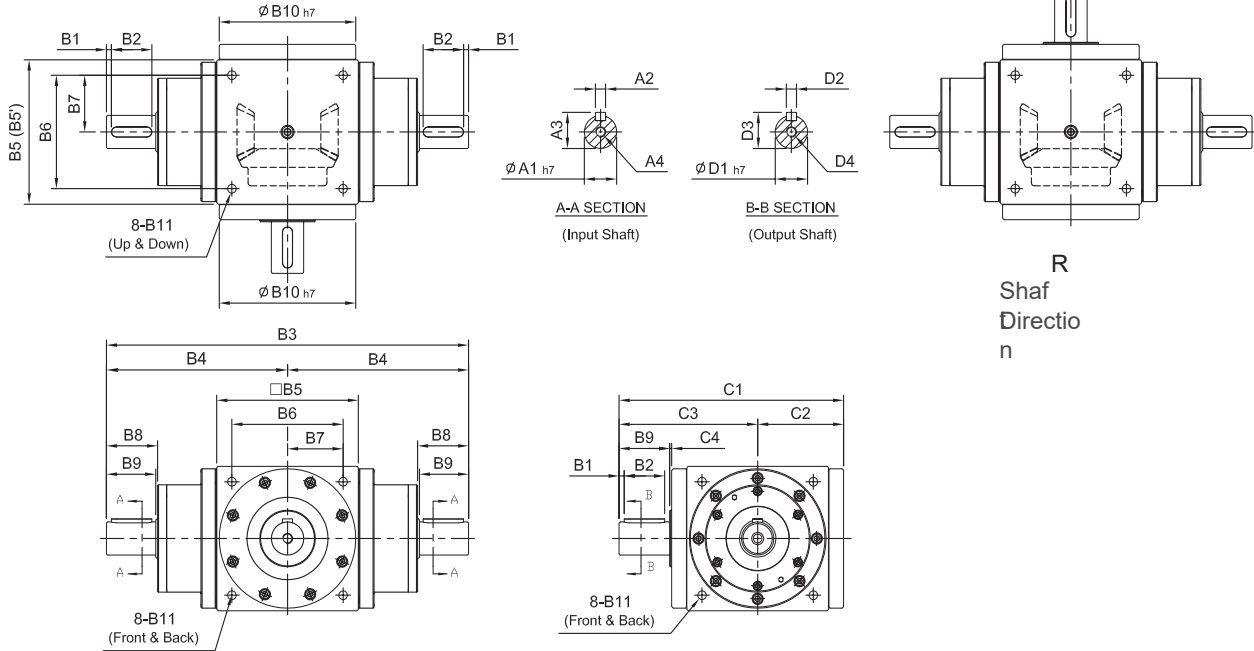
ST-YS Series

RATIO : 1,2,3,4,5 (1-Stage)

Double Input Shaft - Single Output Shaft



ST



unit: mm

Model Code	65	65(1:1)	75	90	110	140	170	210	
	A								
A1	14	14	16	18	22	32	40	50	
A2	5	5	5	6	6	10	12	14	
A3	16	16	18	20.5	24.5	35	43	53.5	
A4	M5 x P0.8	M5 x P0.8	M5 x P0.8	M8 x P1.25	M8 x P1.25	M10 x P1.5	M12 x P1.75	M12 x P1.75	
B									
B1	2.5	2.5	2.5	5	5	5	5	5	
B2	15	15	25	25	30	40	50	65	
B3	190	190	210	247	304	360	430	540	
B4	95	95	105	123.5	152	180	215	270	
B5(B5')	65	65	75(74)	90	110	140	170	210	
B6	52	52	60	72	88	110	134	170	
B7	26	26	30	36	44	55	67	85	
B8	22	22	32	38	43	53.5	64	77	
B9	20	20	30	35	40	50	60	75	
B10	62	64	73	88	106	135	164	205	
B11	M5 x P0.8	M5 x P0.8	M6 x P1.0	M6 x P1.0	M8 x P1.25	M10 x P1.5	M12 x P1.75	M16 x P2.0	
C									
C1	102	107	128	151	182	222	262	323	
C2	40	42.5	48	57	70	85	100	123	
C3	62	64.5	80	94	112	137	162	200	
C4	2	2	2	2	2	2	2	2	
D									
D1	14	14	16	18	22	32	40	50	
D2	5	5	5	6	6	10	12	14	
D3	16	16	18	20.5	24.5	35	43	53.5	
D4	M5 x P0.8	M5 x P0.8	M5 x P0.8	M5 x P0.8	M5 x P0.8	M10 x P1.5	M12 x P1.75	M12 x P1.75	
Weight	kg	2.85	2.85	3.6	6.2	11.5	18	28	57